

Socket Set Screws have a better hold the tighter they are. Unbrako Socket Set Screws have tightening torques as much as 40% higher than other set screws, providing increased holding power and additional safety and reliability.



PRODUCT ATTRIBUTES

Fasten collars, sheaves, gears, knobs on shafts.

Recommend tightening torques as much as 40% higher than other set screws.

High grade alloy steel and heat treated to a minimum hardness of HRC 45.

Deep accurate sockets give more key engagement for extra wrenching areas.

Creates a strong clamping action which resists the relative motion between the assembled parts.

Unbrako Socket Set Screws are available in cup point (knurled and plain), cone, half dog, and flat point styles.

MARKETS FOR SET SCREWS

Machine Building	Automotive
Aerospace	Petrochemical
Heavy Machinery	Electronics

THIS PRODUCT IS OFTEN CALLED...

Grub Screw
Set Screw

ADDITIONAL UNBRAKO SOCKET PRODUCTS

Socket Head Cap Screws
Socket Low Head Cap Screws
Socket Head Shoulder Screws
Button Head Socket Screws
Flat Head Countersunk Socket Screws
Flange Button Head Socket Screws
Hardened Ground Machine Dowel Pins
Hexagon Wrenches
Taper Pressure Plugs
Pull Out Dowel Pins

AVAILABLE VALUE ADDED SERVICES

Secondary & rework services including drilling and center drilling

Custom plating services available

BACKED BY THE EARNEST

Service
GUARANTEE

**The right part.
The right quantity.
On-time.
Everytime.**

POINT SELECTION ACCORDING TO APPLICATION

Point selection is normally determined by the nature of the application – materials, their relative hardness, frequency of assembly and re-assembly and other factors. Reviewed here are standard point types, their general features and most frequent areas of application of each type.



KNURLED CUP POINT

For quick and permanent location of gears, collars, pulleys or knobs on shafts. Exclusive counterclockwise locking knurls resist screw loosening, even in poorly tapped holes. Resists most severe vibration.



PLAIN CUP POINT

Use against hardened shafts, in zinc, die castings and other soft materials where high tightening torques are impractical.



CONE POINT

For permanent location of parts. Deep penetration gives highest axial and holding power. In material over Rockwell C15 point is spotted to half its length to develop shear strength across point. Used for pivots and fine adjustment.



HALF DOG POINT

Used for permanent location of one part to another. Point is spotted in hole drilled in shaft or against flat (milled). Often replaces dowel pins. Works well against hardened members or hollow tubing.



FLAT POINT

Use where parts must be frequently re-set, as it causes little or no damage to part it bears against. Can be used against hardened shafts (usually with ground flat for better contact) and as adjusting screw. Preferred for thin wall thickness and on soft plugs.

UNBRAKO SOCKET SET SCREWS - Inch

DIMENSIONAL REQUIREMENTS:

ASME B18.3 / BS 2470

THREADS: ASME B1.1 / Class 3A

PLATING

Black Oxide (Thermal Black Oxide)
Custom Coatings Available

*The specifications shown on this sheet are not intended to be used in the production of parts. Earnest Machine is not responsible or liable in any manner for any production errors and we certify the information present on this specification sheet is correct to the best of our knowledge. ©2021 Earnest Machine Products

Chemical Composition:

CARBON (C)		PHOSPHORUS (P)	SULFUR (S)
Min	Max	Max	Max
0.33	0.035	0.040	

Alloy

CONTAINS ONE OR MORE OF THE FOLLOWING ALLOYS
Mn, Cr, Mo, Ni, V

Hardness:

ROCKWELL HARDNESS
HRC 45 / 53

UNBRAKO SOCKET SET SCREWS - Metric

DIMENSIONAL REQUIREMENTS:

Cup Point: DIN 916 / ISO 4029 / ASME B18.3.6M / BS 2470

Flat Point: DIN 913 / ISO 4026 / ASME B18.3.6M / BS 2470

Dog Point: DIN 915 / ISO 4028 / ASME B18.3.6M / BS 2470

Cone Point: DIN 914 / ISO 4027 / ASME B18.3.6M / BS 2470

THREADS per ISO 261/ Class 6g

PLATING

Black Oxide (Thermal Black Oxide)
Custom Coatings Available

Chemical Composition:

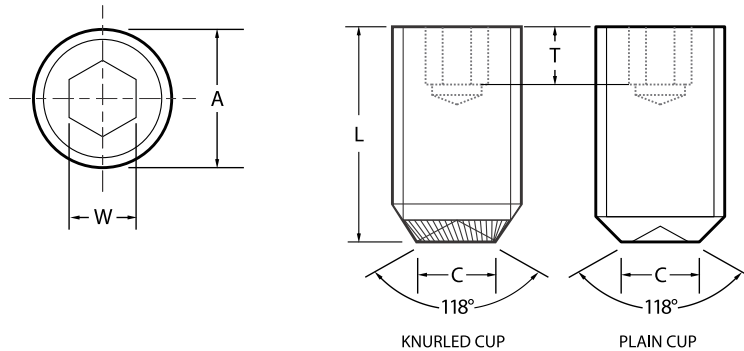
CARBON (C)		PHOSPHORUS (P)	SULFUR (S)
Max	Min	Max	Max
0.19	0.50	0.05	0.05

Alloy

CONTAINS ONE OR MORE OF THE FOLLOWING ALLOYS
Mn, Cr, Mo, Ni, V, B

Hardness:

ROCKWELL HARDNESS
HRC 45 / 53

UNBRAKO SOCKET SET SCREWS - INCH DIMENSIONS


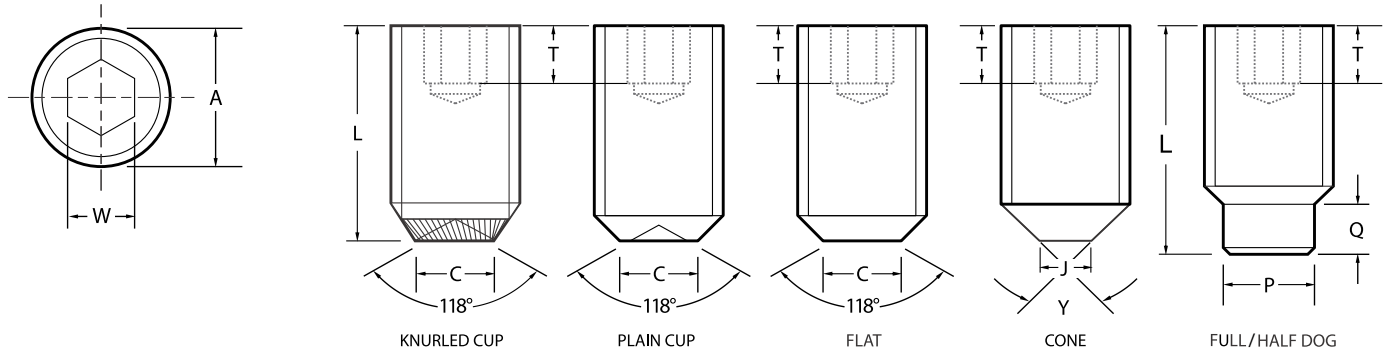
THREAD SIZE NOM	THREADS PER INCH		DIAMETER (A)			HEX SOCKET SIZE (W)	C		T*
	UNC	UNF	MAX	UNRC	UNRF	MAX	MAX	MAX	MIN
#0	-	80	0.0600	-	0.0568	0.028	0.033	0.027	0.035
#1	64	72	0.0730	0.0692	0.0695	0.035	0.040	0.033	0.035
#2	56	64	0.0860	0.0819	0.0822	0.035	0.047	0.039	0.035
#3	48	56	0.0990	0.0945	0.0949	0.050	0.054	0.045	0.060
#4	40	48	0.1120	0.1069	0.1075	0.050	0.061	0.051	0.075
#5	40	44	0.1250	0.1199	0.1202	0.0625	0.067	0.057	0.075
#6	32	40	0.1380	0.1320	0.1329	0.0625	0.074	0.064	0.075
#8	32	36	0.1640	0.1580	0.1585	0.0781	0.087	0.076	0.075
#10	24	32	0.1900	0.1825	0.1840	0.0937	0.102	0.088	0.105
1/4	20	28	0.2500	0.2419	0.2435	0.125	0.132	0.118	0.105
5/16	18	24	0.3125	0.3038	0.3053	0.1562	0.172	0.156	0.140
3/8	16	24	0.3750	0.3656	0.3678	0.1875	0.212	0.194	0.140
7/16	14	20	0.4375	0.4272	0.4294	0.2187	0.252	0.232	0.190
1/2	13	20	0.5000	0.4891	0.4919	0.250	0.291	0.270	0.210
9/16	12	18	0.5625	0.5511	0.5538	0.250	0.332	0.309	0.265
5/8	11	18	0.6250	0.6129	0.6163	0.3125	0.371	0.347	0.265
3/4	10	16	0.7500	0.7371	0.7406	0.375	0.450	0.425	0.330
7/8	9	14	0.8750	0.8611	0.8647	0.500	0.530	0.502	0.450
1	8	12	1.0000	0.9850	0.9886	0.5625	0.609	0.579	0.550
1 1/8	7	12	1.1250	1.1086	1.1136	0.5625	0.689	0.655	0.650
1 1/4	7	12	1.2500	1.2336	1.2386	0.625	0.767	0.733	0.700
1 3/8	6	12	1.3750	1.3568	1.3636	0.625	0.848	0.808	0.700
1 1/2	6	12	1.5000	1.4818	1.4886	0.750	0.926	0.886	0.750

*Values shown in column T are for minimum stock length cup point screws. Screws shorter than nominal minimum length shown do not have sockets deep enough to utilize full key capability which can result in failure of socket, key or mating threads.

*The specifications shown on this sheet are not intended to be used in the production of parts. Earnest Machine is not responsible or liable in any manner for any production errors and we certify the information present on this specification sheet is correct to the best of our knowledge.

©2021 Earnest Machine Products

UNBRAKO SOCKET SET SCREWS - METRIC DIMENSIONS



THREAD SIZE	PITCH	HEX SOCKET	KNURLED CUP		PLAIN CUP		FLAT CUP POINT		CONE POINT			DOG POINT			
			C-MAX	L-MIN	C-MAX	L-MIN	C-MAX	L-MIN	J-MAX	L-MIN	Y°±2°	L*	Q-Full Dog	Q-Half Dog	P-MAX
M2.5	0.45	1.27	-	-	1.2	3.0	2.0	3.0	Sharp	4.0	4.0	-	-	-	-
M3	0.50	1.5	1.30	3.0	1.4	3.0	2.5	3.0	Sharp	4.0	5.0	5.00	1.75	1.00	2.00
M4	0.70	2.0	2.10	3.0	2.0	3.0	3.5	4.0	Sharp	5.0	6.0	6.00	2.25	1.25	2.50
M5	0.80	2.5	2.40	4.0	2.5	4.0	4.0	4.0	1.5	6.0	8.0	6.00	2.75	1.50	3.50
M6	1.00	3.0	3.30	5.0	3.0	4.0	5.5	5.0	2.0	6.0	10.0	8.00	3.25	1.75	4.00
M8	1.25	4.0	4.30	6.0	5.0	5.0	7.0	6.0	2.5	8.0	12.0	10.00	4.30	2.25	5.50
M10	1.50	5.0	5.25	8.0	6.0	6.0	8.5	8.0	3.0	10.0	14.0	12.00	5.30	2.75	7.00
M12	1.75	6.0	6.60	10.0	8.0	8.0	10.0	10.0	4.0	12.0	14.0	16.00	6.30	3.25	8.50
M14	2.00	6.0	8.10	12.0	9.0	10.0	12.0	12.0	4.0	14.0	18.0	20.00	7.36	3.80	10.00
M16	2.00	8.0	9.10	14.0	10.0	12.0	13.0	12.0	5.0	16.0	20.0	20.00	8.36	4.30	12.00
M18	2.50	10.0	10.30	16.0	12.0	14.0	15.0	14.0	5.0	18.0	22.0	25.00	9.36	4.80	13.00
M20	2.50	10.0	11.50	18.0	14.0	16.0	17.0	16.0	6.0	20.0	28.0	25.00	10.36	5.30	15.00
M22	2.50	12.0	12.65	20.0	16.0	18.0	18.0	20.0	6.0	20.0	28.0	30.00	11.43	5.80	17.00
M24	3.00	12.0	14.65	20.0	16.0	20.0	16.0	18.0	6.0	20.0	28.0	30.00	12.43	6.30	18.00

* Screws with lengths L or smaller will have half dog point H.
Screws with lengths larger than L will have full dog point HL.

*The specifications shown on this sheet are not intended to be used in the production of parts. Earnest Machine is not responsible or liable in any manner for any production errors and we certify the information present on this specification sheet is correct to the best of our knowledge.

©2021 Earnest Machine Products

Unbrako Knurled Cup Point Socket Set Screw - Inch

SIZE	TYPE	PITCH	MATERIAL	FINISH	UNBRAKO PART #	EARNEST PART #
#4-40x1/8	Knurled Cup Point	Coarse	Alloy Steel	Black Oxide	107218	969693
#4-40x3/16	Knurled Cup Point	Coarse	Alloy Steel	Black Oxide	107235	969699
#4-40x1/4	Knurled Cup Point	Coarse	Alloy Steel	Black Oxide	117866	969687
#4-40x1/2	Knurled Cup Point	Coarse	Alloy Steel	Black Oxide	117933	969681

#4-48x1/8	Knurled Cup Point	Fine	Alloy Steel	Black Oxide	107829	969711
#4-48x3/16	Knurled Cup Point	Fine	Alloy Steel	Black Oxide	107846	969717
#4-48x3/8	Knurled Cup Point	Fine	Alloy Steel	Black Oxide	107894	969720

#5-40x1/8	Knurled Cup Point	Coarse	Alloy Steel	Black Oxide	117965	969738
#5-40x3/16	Knurled Cup Point	Coarse	Alloy Steel	Black Oxide	117981	969744
#5-40x1/4	Knurled Cup Point	Coarse	Alloy Steel	Black Oxide	117997	969732
#5-40x1/2	Knurled Cup Point	Coarse	Alloy Steel	Black Oxide	118063	969726
#5-40x5/8	Knurled Cup Point	Coarse	Alloy Steel	Black Oxide	114014	969753

#5-44x1/8	Knurled Cup Point	Fine	Alloy Steel	Black Oxide	107912	969756
-----------	-------------------	------	-------------	-------------	--------	--------

#6-32x1/8	Knurled Cup Point	Coarse	Alloy Steel	Black Oxide	102949	969774
#6-32x3/16	Knurled Cup Point	Coarse	Alloy Steel	Black Oxide	102967	969780
#6-32x1/4	Knurled Cup Point	Coarse	Alloy Steel	Black Oxide	102983	969768
#6-32x5/16	Knurled Cup Point	Coarse	Alloy Steel	Black Oxide	108396	969798
#6-32x3/8	Knurled Cup Point	Coarse	Alloy Steel	Black Oxide	121651	969795
#6-32x7/16	Knurled Cup Point	Coarse	Alloy Steel	Black Oxide	102767	969807
#6-32x1/2	Knurled Cup Point	Coarse	Alloy Steel	Black Oxide	121751	969765
#6-32x3/4	Knurled Cup Point	Coarse	Alloy Steel	Black Oxide	102866	969786
#6-32x7/8	Knurled Cup Point	Coarse	Alloy Steel	Black Oxide	115033	969810

#8-32x1/8	Knurled Cup Point	Coarse	Alloy Steel	Black Oxide	113100	969843
#8-32x3/16	Knurled Cup Point	Coarse	Alloy Steel	Black Oxide	105233	969849
#8-32x1/4	Knurled Cup Point	Coarse	Alloy Steel	Black Oxide	114173	969840
#8-32x5/16	Knurled Cup Point	Coarse	Alloy Steel	Black Oxide	102972	969867
#8-32x3/8	Knurled Cup Point	Coarse	Alloy Steel	Black Oxide	103005	969861
#8-32x1/2	Knurled Cup Point	Coarse	Alloy Steel	Black Oxide	103071	969831
#8-32x5/8	Knurled Cup Point	Coarse	Alloy Steel	Black Oxide	108566	969873
#8-32x3/4	Knurled Cup Point	Coarse	Alloy Steel	Black Oxide	113228	969855
#8-32x1	Knurled Cup Point	Coarse	Alloy Steel	Black Oxide	111282	969825

#8-36x1/8	Knurled Cup Point	Fine	Alloy Steel	Black Oxide	119355	969879
-----------	-------------------	------	-------------	-------------	--------	--------

Unbrako Knurled Cup Point Socket Set Screw - Inch

SIZE	TYPE	PITCH	MATERIAL	FINISH	UNBRAKO PART #	EARNEST PART #
#10-24x3/16	Knurled Cup Point	Coarse	Alloy Steel	Black Oxide	105845	969567
#10-24x1/4	Knurled Cup Point	Coarse	Alloy Steel	Black Oxide	105877	969561
#10-24x5/16	Knurled Cup Point	Coarse	Alloy Steel	Black Oxide	105909	969582
#10-24x3/8	Knurled Cup Point	Coarse	Alloy Steel	Black Oxide	116953	969576
#10-24x7/16	Knurled Cup Point	Coarse	Alloy Steel	Black Oxide	116987	969591
#10-24x1/2	Knurled Cup Point	Coarse	Alloy Steel	Black Oxide	117019	969558
#10-24x5/8	Knurled Cup Point	Coarse	Alloy Steel	Black Oxide	117053	969588
#10-24x3/4	Knurled Cup Point	Coarse	Alloy Steel	Black Oxide	117085	969573
#10-24x7/8	Knurled Cup Point	Coarse	Alloy Steel	Black Oxide	119137	969594
#10-24x1	Knurled Cup Point	Coarse	Alloy Steel	Black Oxide	119170	969552

#10-32x3/16	Knurled Cup Point	Fine	Alloy Steel	Black Oxide	119453	969627
#10-32x1/4	Knurled Cup Point	Fine	Alloy Steel	Black Oxide	119470	969621
#10-32x5/16	Knurled Cup Point	Fine	Alloy Steel	Black Oxide	119486	969642
#10-32x3/8	Knurled Cup Point	Fine	Alloy Steel	Black Oxide	119502	969636
#10-32x1/2	Knurled Cup Point	Fine	Alloy Steel	Black Oxide	119535	969615
#10-32x5/8	Knurled Cup Point	Fine	Alloy Steel	Black Oxide	105919	969645
#10-32x3/4	Knurled Cup Point	Fine	Alloy Steel	Black Oxide	109095	969633
#10-32x1	Knurled Cup Point	Fine	Alloy Steel	Black Oxide	109112	969600
#10-32x1-1/4	Knurled Cup Point	Fine	Alloy Steel	Black Oxide	109129	969606

1/4-20x3/16	Knurled Cup Point	Coarse	Alloy Steel	Black Oxide	114668	969039
1/4-20x1/4	Knurled Cup Point	Coarse	Alloy Steel	Black Oxide	114700	969036
1/4-20x5/16	Knurled Cup Point	Coarse	Alloy Steel	Black Oxide	114733	969057
1/4-20x3/8	Knurled Cup Point	Coarse	Alloy Steel	Black Oxide	114766	969051
1/4-20x7/16	Knurled Cup Point	Coarse	Alloy Steel	Black Oxide	119197	969066
1/4-20x1/2	Knurled Cup Point	Coarse	Alloy Steel	Black Oxide	120250	969030
1/4-20x5/8	Knurled Cup Point	Coarse	Alloy Steel	Black Oxide	119902	969063
1/4-20x3/4	Knurled Cup Point	Coarse	Alloy Steel	Black Oxide	119934	969045
1/4-20x7/8	Knurled Cup Point	Coarse	Alloy Steel	Black Oxide	113809	969069
1/4-20x1	Knurled Cup Point	Coarse	Alloy Steel	Black Oxide	113841	969000
1/4-20x1-1/4	Knurled Cup Point	Coarse	Alloy Steel	Black Oxide	113874	969006
1/4-20x1-1/2	Knurled Cup Point	Coarse	Alloy Steel	Black Oxide	103000	969012
1/4-20x2	Knurled Cup Point	Coarse	Alloy Steel	Black Oxide	103032	969021

1/4-28x3/16	Knurled Cup Point	Fine	Alloy Steel	Black Oxide	120550	969093
1/4-28x1/4	Knurled Cup Point	Fine	Alloy Steel	Black Oxide	120568	969090
1/4-28x5/16	Knurled Cup Point	Fine	Alloy Steel	Black Oxide	120584	969111
1/4-28x3/8	Knurled Cup Point	Fine	Alloy Steel	Black Oxide	120600	969105
1/4-28x7/16	Knurled Cup Point	Fine	Alloy Steel	Black Oxide	120616	969120
1/4-28x1/2	Knurled Cup Point	Fine	Alloy Steel	Black Oxide	120632	969084
1/4-28x5/8	Knurled Cup Point	Fine	Alloy Steel	Black Oxide	120648	969117
1/4-28x3/4	Knurled Cup Point	Fine	Alloy Steel	Black Oxide	120665	969099
1/4-28x1	Knurled Cup Point	Fine	Alloy Steel	Black Oxide	120681	969075

Unbrako Knurled Cup Point Socket Set Screw - Inch

SIZE	TYPE	PITCH	MATERIAL	FINISH	UNBRAKO PART #	EARNEST PART #
5/16-18x1/4	Knurled Cup Point	Coarse	Alloy Steel	Black Oxide	104901	969159
5/16-18x5/16	Knurled Cup Point	Coarse	Alloy Steel	Black Oxide	104917	969177
5/16-18x3/8	Knurled Cup Point	Coarse	Alloy Steel	Black Oxide	104934	969168
5/16-18x7/16	Knurled Cup Point	Coarse	Alloy Steel	Black Oxide	104950	969186
5/16-18x1/2	Knurled Cup Point	Coarse	Alloy Steel	Black Oxide	104966	969150
5/16-18x5/8	Knurled Cup Point	Coarse	Alloy Steel	Black Oxide	104982	969183
5/16-18x3/4	Knurled Cup Point	Coarse	Alloy Steel	Black Oxide	104998	969162
5/16-18x1	Knurled Cup Point	Coarse	Alloy Steel	Black Oxide	105030	969123
5/16-18x1-1/4	Knurled Cup Point	Coarse	Alloy Steel	Black Oxide	118995	969132
5/16-18x1-1/2	Knurled Cup Point	Coarse	Alloy Steel	Black Oxide	119011	969138
5/16-18x2	Knurled Cup Point	Coarse	Alloy Steel	Black Oxide	119043	969147

5/16-24x1/4	Knurled Cup Point	Fine	Alloy Steel	Black Oxide	118675	969204
5/16-24x5/16	Knurled Cup Point	Fine	Alloy Steel	Black Oxide	118691	969222
5/16-24x3/8	Knurled Cup Point	Fine	Alloy Steel	Black Oxide	118707	969216
5/16-24x7/16	Knurled Cup Point	Fine	Alloy Steel	Black Oxide	118723	969231
5/16-24x1/2	Knurled Cup Point	Fine	Alloy Steel	Black Oxide	118739	969198
5/16-24x5/8	Knurled Cup Point	Fine	Alloy Steel	Black Oxide	118755	969228
5/16-24x3/4	Knurled Cup Point	Fine	Alloy Steel	Black Oxide	118773	969210
5/16-24x1	Knurled Cup Point	Fine	Alloy Steel	Black Oxide	120327	969192

3/8-16x1/4	Knurled Cup Point	Coarse	Alloy Steel	Black Oxide	112027	969273
3/8-16x5/16	Knurled Cup Point	Coarse	Alloy Steel	Black Oxide	112043	969294
3/8-16x3/8	Knurled Cup Point	Coarse	Alloy Steel	Black Oxide	112059	969285
3/8-16x1/2	Knurled Cup Point	Coarse	Alloy Steel	Black Oxide	112092	969267
3/8-16x5/8	Knurled Cup Point	Coarse	Alloy Steel	Black Oxide	112108	969297
3/8-16x3/4	Knurled Cup Point	Coarse	Alloy Steel	Black Oxide	112124	969279
3/8-16x1	Knurled Cup Point	Coarse	Alloy Steel	Black Oxide	112157	969237
3/8-16x1-1/4	Knurled Cup Point	Coarse	Alloy Steel	Black Oxide	112173	969240
3/8-16x1-1/2	Knurled Cup Point	Coarse	Alloy Steel	Black Oxide	112189	969246
3/8-16x1-3/4	Knurled Cup Point	Coarse	Alloy Steel	Black Oxide	112206	969252
3/8-16x2	Knurled Cup Point	Coarse	Alloy Steel	Black Oxide	112221	969261
3/8-16x2-1/2	Knurled Cup Point	Coarse	Alloy Steel	Black Oxide	112237	969264

3/8-24x5/16	Knurled Cup Point	Fine	Alloy Steel	Black Oxide	120377	969348
3/8-24x3/8	Knurled Cup Point	Fine	Alloy Steel	Black Oxide	120393	969342
3/8-24x1/2	Knurled Cup Point	Fine	Alloy Steel	Black Oxide	120412	969327
3/8-24x5/8	Knurled Cup Point	Fine	Alloy Steel	Black Oxide	120420	969354
3/8-24x3/4	Knurled Cup Point	Fine	Alloy Steel	Black Oxide	120428	969336
3/8-24x1	Knurled Cup Point	Fine	Alloy Steel	Black Oxide	120436	969309
3/8-24x1-1/4	Knurled Cup Point	Fine	Alloy Steel	Black Oxide	120444	969315
3/8-24x1-1/2	Knurled Cup Point	Fine	Alloy Steel	Black Oxide	120452	969321

Unbrako Knurled Cup Point Socket Set Screw - Inch

SIZE	TYPE	PITCH	MATERIAL	FINISH	UNBRAKO PART #	EARNEST PART #
7/16-14x1/2	Knurled Cup Point	Coarse	Alloy Steel	Black Oxide	112285	969366
7/16-14x3/4	Knurled Cup Point	Coarse	Alloy Steel	Black Oxide	112319	969372
7/16-14x1	Knurled Cup Point	Coarse	Alloy Steel	Black Oxide	108800	969360

7/16-20x3/8	Knurled Cup Point	Fine	Alloy Steel	Black Oxide	120460	969384
7/16-20x7/16	Knurled Cup Point	Fine	Alloy Steel	Black Oxide	117092	969387

1/2-13x3/8	Knurled Cup Point	Coarse	Alloy Steel	Black Oxide	108901	969432
1/2-13x1/2	Knurled Cup Point	Coarse	Alloy Steel	Black Oxide	119072	969423
1/2-13x5/8	Knurled Cup Point	Coarse	Alloy Steel	Black Oxide	119088	969441
1/2-13x3/4	Knurled Cup Point	Coarse	Alloy Steel	Black Oxide	119104	969429
1/2-13x7/8	Knurled Cup Point	Coarse	Alloy Steel	Black Oxide	108284	969447
1/2-13x1	Knurled Cup Point	Coarse	Alloy Steel	Black Oxide	108300	969393
1/2-13x1-1/4	Knurled Cup Point	Coarse	Alloy Steel	Black Oxide	108316	969399
1/2-13x1-1/2	Knurled Cup Point	Coarse	Alloy Steel	Black Oxide	116557	969405
1/2-13x2	Knurled Cup Point	Coarse	Brass	Black Oxide	102333	969411

1/2-20x1/2	Knurled Cup Point	Fine	Alloy Steel	Black Oxide	119207	969459
1/2-20x3/4	Knurled Cup Point	Fine	Alloy Steel	Black Oxide	119239	969465
1/2-20x1	Knurled Cup Point	Fine	Alloy Steel	Black Oxide	119256	969453

5/8-11x1/2	Knurled Cup Point	Coarse	Alloy Steel	Black Oxide	111417	969501
5/8-11x5/8	Knurled Cup Point	Coarse	Alloy Steel	Black Oxide	111449	969510
5/8-11x7/8	Knurled Cup Point	Coarse	Alloy Steel	Black Oxide	117842	969513
5/8-11x1	Knurled Cup Point	Coarse	Alloy Steel	Black Oxide	117875	969474
5/8-11x1-1/4	Knurled Cup Point	Coarse	Alloy Steel	Black Oxide	117909	969480
5/8-11x1-1/2	Knurled Cup Point	Coarse	Alloy Steel	Black Oxide	111467	969486
5/8-11x1-3/4	Knurled Cup Point	Coarse	Alloy Steel	Black Oxide	111499	969492

5/8-18x5/8	Knurled Cup Point	Fine	Alloy Steel	Black Oxide	119273	969525
5/8-18x1	Knurled Cup Point	Fine	Alloy Steel	Black Oxide	119289	969519

Unbrako Plain Cup Point Socket Set Screw - Inch

SIZE	TYPE	PITCH	MATERIAL	FINISH	UNBRAKO PART #	EARNEST PART #
#0-80x1/16	Plain Cup Point	Fine	Alloy Steel	Black Oxide	114082	969528
#0-80x3/32	Plain Cup Point	Fine	Alloy Steel	Black Oxide	114099	969540
#0-80x1/8	Plain Cup Point	Fine	Alloy Steel	Black Oxide	114116	969534
#0-80x3/16	Plain Cup Point	Fine	Alloy Steel	Black Oxide	114148	969537
#0-80x1/4	Plain Cup Point	Fine	Alloy Steel	Black Oxide	107259	969531

#1-72x1/16	Plain Cup Point	Fine	Alloy Steel	Black Oxide	107275	969543
#1-72x3/32	Plain Cup Point	Fine	Alloy Steel	Black Oxide	119983	969549
#1-72x1/8	Plain Cup Point	Fine	Alloy Steel	Black Oxide	118176	969546

Unbrako Plain Cup Point Socket Set Screw - Inch

SIZE	TYPE	PITCH	MATERIAL	FINISH	UNBRAKO PART #	EARNEST PART #
#2-56x1/16	Plain Cup Point	Coarse	Alloy Steel	Black Oxide	106816	969651
#2-56x3/32	Plain Cup Point	Coarse	Alloy Steel	Black Oxide	113649	969663
#2-56x1/8	Plain Cup Point	Coarse	Alloy Steel	Black Oxide	113665	969657
#2-56x3/16	Plain Cup Point	Coarse	Alloy Steel	Black Oxide	113698	969660
#2-56x1/4	Plain Cup Point	Coarse	Alloy Steel	Black Oxide	113714	969654

#3-48x3/32	Plain Cup Point	Coarse	Alloy Steel	Black Oxide	113730	969675
#3-48x1/8	Plain Cup Point	Coarse	Alloy Steel	Black Oxide	113747	969669
#3-48x3/16	Plain Cup Point	Coarse	Alloy Steel	Black Oxide	102978	969672
#3-48x1/4	Plain Cup Point	Coarse	Alloy Steel	Black Oxide	102995	969666

#4-40x1/8	Plain Cup Point	Coarse	Alloy Steel	Black Oxide	103011	969690
#4-40x3/16	Plain Cup Point	Coarse	Alloy Steel	Black Oxide	103027	969696
#4-40x1/4	Plain Cup Point	Coarse	Alloy Steel	Black Oxide	103043	969684
#4-40x5/16	Plain Cup Point	Coarse	Alloy Steel	Black Oxide	103061	969705
#4-40x3/8	Plain Cup Point	Coarse	Alloy Steel	Black Oxide	103078	969702
#4-40x1/2	Plain Cup Point	Coarse	Alloy Steel	Black Oxide	108572	969678
#4-40x5/8	Plain Cup Point	Coarse	Alloy Steel	Black Oxide	108589	969708

#4-48x1/8	Plain Cup Point	Fine	Alloy Steel	Black Oxide	118241	969714
-----------	-----------------	------	-------------	-------------	--------	--------

#5-40x1/8	Plain Cup Point	Coarse	Alloy Steel	Black Oxide	108607	969735
#5-40x3/16	Plain Cup Point	Coarse	Alloy Steel	Black Oxide	108623	969741
#5-40x1/4	Plain Cup Point	Coarse	Alloy Steel	Black Oxide	108640	969729
#5-40x5/16	Plain Cup Point	Coarse	Alloy Steel	Black Oxide	108658	969750
#5-40x3/8	Plain Cup Point	Coarse	Alloy Steel	Black Oxide	108674	969747
#5-40x1/2	Plain Cup Point	Coarse	Alloy Steel	Black Oxide	108707	969723

#6-32x1/8	Plain Cup Point	Coarse	Alloy Steel	Black Oxide	113057	969777
#6-32x3/16	Plain Cup Point	Coarse	Alloy Steel	Black Oxide	113073	969783
#6-32x1/4	Plain Cup Point	Coarse	Alloy Steel	Black Oxide	109399	969771
#6-32x5/16	Plain Cup Point	Coarse	Alloy Steel	Black Oxide	109417	969801
#6-32x3/8	Plain Cup Point	Coarse	Alloy Steel	Black Oxide	109433	969792
#6-32x1/2	Plain Cup Point	Coarse	Alloy Steel	Black Oxide	109465	969762
#6-32x5/8	Plain Cup Point	Coarse	Alloy Steel	Black Oxide	109481	969804
#6-32x3/4	Plain Cup Point	Coarse	Alloy Steel	Black Oxide	109498	969789
#6-32x1	Plain Cup Point	Coarse	Alloy Steel	Black Oxide	109531	969759

#6-40x1/8	Plain Cup Point	Fine	Alloy Steel	Black Oxide	119216	969816
#6-40x3/16	Plain Cup Point	Fine	Alloy Steel	Black Oxide	119232	969819
#6-40x1/4	Plain Cup Point	Fine	Alloy Steel	Black Oxide	119249	969813
#6-40x3/8	Plain Cup Point	Fine	Alloy Steel	Black Oxide	119282	969822

Unbrako Plain Cup Point Socket Set Screw - Inch

SIZE	TYPE	PITCH	MATERIAL	FINISH	UNBRAKO PART #	EARNEST PART #
#8-32x1/8	Plain Cup Point	Coarse	Alloy Steel	Black Oxide	114993	969846
#8-32x3/16	Plain Cup Point	Coarse	Alloy Steel	Black Oxide	115009	969852
#8-32x1/4	Plain Cup Point	Coarse	Alloy Steel	Black Oxide	108241	969837
#8-32x5/16	Plain Cup Point	Coarse	Alloy Steel	Black Oxide	108256	969870
#8-32x3/8	Plain Cup Point	Coarse	Alloy Steel	Black Oxide	108273	969864
#8-32x1/2	Plain Cup Point	Coarse	Alloy Steel	Black Oxide	118841	969834
#8-32x5/8	Plain Cup Point	Coarse	Alloy Steel	Black Oxide	118857	969876
#8-32x3/4	Plain Cup Point	Coarse	Alloy Steel	Black Oxide	118873	969858
#8-32x1	Plain Cup Point	Coarse	Alloy Steel	Black Oxide	118905	969828

#10-24x3/16	Plain Cup Point	Coarse	Alloy Steel	Black Oxide	118921	969570
#10-24x1/4	Plain Cup Point	Coarse	Alloy Steel	Black Oxide	118937	969564
#10-24x5/16	Plain Cup Point	Coarse	Alloy Steel	Black Oxide	118953	969585
#10-24x3/8	Plain Cup Point	Coarse	Alloy Steel	Black Oxide	118970	969579
#10-24x1/2	Plain Cup Point	Coarse	Alloy Steel	Black Oxide	111770	969555

#10-32x3/16	Plain Cup Point	Fine	Alloy Steel	Black Oxide	119397	969624
#10-32x1/4	Plain Cup Point	Fine	Alloy Steel	Black Oxide	119413	969618
#10-32x5/16	Plain Cup Point	Fine	Alloy Steel	Black Oxide	119429	969639
#10-32x3/8	Plain Cup Point	Fine	Alloy Steel	Black Oxide	120397	969597
#10-32x1/2	Plain Cup Point	Fine	Alloy Steel	Black Oxide	107300	969612
#10-32x5/8	Plain Cup Point	Fine	Alloy Steel	Black Oxide	107316	969648
#10-32x3/4	Plain Cup Point	Fine	Alloy Steel	Black Oxide	107332	969630
#10-32x1	Plain Cup Point	Fine	Alloy Steel	Black Oxide	117212	969603
#10-32x1-1/4	Plain Cup Point	Fine	Alloy Steel	Black Oxide	117228	969609

1/4-20x1/4	Plain Cup Point	Coarse	Alloy Steel	Black Oxide	106510	969033
1/4-20x5/16	Plain Cup Point	Coarse	Alloy Steel	Black Oxide	113489	969054
1/4-20x3/8	Plain Cup Point	Coarse	Alloy Steel	Black Oxide	113554	969048
1/4-20x1/2	Plain Cup Point	Coarse	Alloy Steel	Black Oxide	106569	969027
1/4-20x5/8	Plain Cup Point	Coarse	Alloy Steel	Black Oxide	119558	969060
1/4-20x3/4	Plain Cup Point	Coarse	Alloy Steel	Black Oxide	117296	969042
1/4-20x1	Plain Cup Point	Coarse	Alloy Steel	Black Oxide	117427	969003
1/4-20x1-1/4	Plain Cup Point	Coarse	Alloy Steel	Black Oxide	117492	969009
1/4-20x1-1/2	Plain Cup Point	Coarse	Alloy Steel	Black Oxide	112469	969015
1/4-20x1-3/4	Plain Cup Point	Coarse	Alloy Steel	Black Oxide	103102	969018
1/4-20x2	Plain Cup Point	Coarse	Alloy Steel	Black Oxide	103135	969024

Unbrako Plain Cup Point Socket Set Screw - Inch

SIZE	TYPE	PITCH	MATERIAL	FINISH	UNBRAKO PART #	EARNEST PART #
1/4-28x1/4	Plain Cup Point	Fine	Alloy Steel	Black Oxide	117260	969087
1/4-28x5/16	Plain Cup Point	Fine	Alloy Steel	Black Oxide	117277	969108
1/4-28x3/8	Plain Cup Point	Fine	Alloy Steel	Black Oxide	117293	969102
1/4-28x1/2	Plain Cup Point	Fine	Alloy Steel	Black Oxide	107183	969081
1/4-28x5/8	Plain Cup Point	Fine	Alloy Steel	Black Oxide	107199	969114
1/4-28x3/4	Plain Cup Point	Fine	Alloy Steel	Black Oxide	116503	969096
1/4-28x1	Plain Cup Point	Fine	Alloy Steel	Black Oxide	104560	969072
1/4-28x1-1/4	Plain Cup Point	Fine	Alloy Steel	Black Oxide	104592	969078

5/16-18x1/4	Plain Cup Point	Coarse	Alloy Steel	Black Oxide	103169	969156
5/16-18x5/16	Plain Cup Point	Coarse	Alloy Steel	Black Oxide	103201	969174
5/16-18x3/8	Plain Cup Point	Coarse	Alloy Steel	Black Oxide	112503	969171
5/16-18x1/2	Plain Cup Point	Coarse	Alloy Steel	Black Oxide	112568	969153
5/16-18x5/8	Plain Cup Point	Coarse	Alloy Steel	Black Oxide	103243	969180
5/16-18x3/4	Plain Cup Point	Coarse	Alloy Steel	Black Oxide	105227	969165
5/16-18x1	Plain Cup Point	Coarse	Alloy Steel	Black Oxide	113079	969126
5/16-18x1-1/4	Plain Cup Point	Coarse	Alloy Steel	Black Oxide	109423	969129
5/16-18x1-1/2	Plain Cup Point	Coarse	Alloy Steel	Black Oxide	109455	969135
5/16-18x1-3/4	Plain Cup Point	Coarse	Alloy Steel	Black Oxide	109487	969141
5/16-18x2	Plain Cup Point	Coarse	Alloy Steel	Black Oxide	109521	969144

5/16-24x1/4	Plain Cup Point	Fine	Alloy Steel	Black Oxide	104624	969201
5/16-24x5/16	Plain Cup Point	Fine	Alloy Steel	Black Oxide	104657	969219
5/16-24x3/8	Plain Cup Point	Fine	Alloy Steel	Black Oxide	104689	969213
5/16-24x1/2	Plain Cup Point	Fine	Alloy Steel	Black Oxide	104753	969195
5/16-24x5/8	Plain Cup Point	Fine	Alloy Steel	Black Oxide	104785	969225
5/16-24x3/4	Plain Cup Point	Fine	Alloy Steel	Black Oxide	110243	969207
5/16-24x1	Plain Cup Point	Fine	Alloy Steel	Black Oxide	115929	969189

3/8-16x1/4	Plain Cup Point	Coarse	Alloy Steel	Black Oxide	114999	969276
3/8-16x5/16	Plain Cup Point	Coarse	Alloy Steel	Black Oxide	108247	969291
3/8-16x3/8	Plain Cup Point	Coarse	Alloy Steel	Black Oxide	118815	969288
3/8-16x1/2	Plain Cup Point	Coarse	Alloy Steel	Black Oxide	118879	969270
3/8-16x5/8	Plain Cup Point	Coarse	Alloy Steel	Black Oxide	118911	969300
3/8-16x3/4	Plain Cup Point	Coarse	Alloy Steel	Black Oxide	118943	969282
3/8-16x7/8	Plain Cup Point	Coarse	Alloy Steel	Black Oxide	117817	969303
3/8-16x1	Plain Cup Point	Coarse	Alloy Steel	Black Oxide	112019	969234
3/8-16x1-1/4	Plain Cup Point	Coarse	Alloy Steel	Black Oxide	113565	969243
3/8-16x1-1/2	Plain Cup Point	Coarse	Alloy Steel	Black Oxide	113597	969249
3/8-16x1-3/4	Plain Cup Point	Coarse	Alloy Steel	Black Oxide	113630	969255
3/8-16x2	Plain Cup Point	Coarse	Alloy Steel	Black Oxide	106548	969258

Unbrako Plain Cup Point Socket Set Screw - Inch

SIZE	TYPE	PITCH	MATERIAL	FINISH	UNBRAKO PART #	EARNEST PART #
3/8-24x1/4	Plain Cup Point	Fine	Alloy Steel	Black Oxide	115994	969330
3/8-24x5/16	Plain Cup Point	Fine	Alloy Steel	Black Oxide	116026	969345
3/8-24x3/8	Plain Cup Point	Fine	Alloy Steel	Black Oxide	115083	969339
3/8-24x1/2	Plain Cup Point	Fine	Alloy Steel	Black Oxide	115149	969324
3/8-24x5/8	Plain Cup Point	Fine	Alloy Steel	Black Oxide	115181	969351
3/8-24x3/4	Plain Cup Point	Fine	Alloy Steel	Black Oxide	114813	969333
3/8-24x1	Plain Cup Point	Fine	Alloy Steel	Black Oxide	114845	969306
3/8-24x1-1/4	Plain Cup Point	Fine	Alloy Steel	Black Oxide	114880	969312
3/8-24x1-1/2	Plain Cup Point	Fine	Alloy Steel	Black Oxide	114912	969318

7/16-14x3/8	Plain Cup Point	Coarse	Alloy Steel	Black Oxide	114169	969375
7/16-14x1/2	Plain Cup Point	Coarse	Alloy Steel	Black Oxide	103001	969363
7/16-14x3/4	Plain Cup Point	Coarse	Alloy Steel	Black Oxide	103067	969369
7/16-14x1	Plain Cup Point	Coarse	Alloy Steel	Black Oxide	108595	969357

7/16-20x3/8	Plain Cup Point	Fine	Alloy Steel	Black Oxide	103568	969381
7/16-20x1/2	Plain Cup Point	Fine	Alloy Steel	Black Oxide	103602	969378

1/2-13x3/8	Plain Cup Point	Coarse	Alloy Steel	Black Oxide	114340	969435
1/2-13x1/2	Plain Cup Point	Coarse	Alloy Steel	Black Oxide	108519	969420
1/2-13x5/8	Plain Cup Point	Coarse	Alloy Steel	Black Oxide	108535	969438
1/2-13x3/4	Plain Cup Point	Coarse	Alloy Steel	Black Oxide	102895	969426
1/2-13x7/8	Plain Cup Point	Coarse	Alloy Steel	Black Oxide	102911	969444
1/2-13x1	Plain Cup Point	Coarse	Alloy Steel	Black Oxide	104078	969390
1/2-13x2	Plain Cup Point	Coarse	Alloy Steel	Black Oxide	104144	969414
1/2-13x2-1/2	Plain Cup Point	Coarse	Alloy Steel	Black Oxide	104160	969417

1/2-13x1-1/4	Plain Cup Point	Coarse	Alloy Steel	Black Oxide	104095	969396
1/2-13x1-1/2	Plain Cup Point	Coarse	Alloy Steel	Black Oxide	104112	969402
1/2-13x1-3/4	Plain Cup Point	Coarse	Alloy Steel	Black Oxide	104128	969408

1/2-20x1/2	Plain Cup Point	Fine	Alloy Steel	Black Oxide	103619	969456
1/2-20x5/8	Plain Cup Point	Fine	Alloy Steel	Black Oxide	103635	969468
1/2-20x3/4	Plain Cup Point	Fine	Alloy Steel	Black Oxide	115447	969462
1/2-20x1	Plain Cup Point	Fine	Alloy Steel	Black Oxide	115463	969450

Unbrako Plain Cup Point Socket Set Screw - Inch

SIZE	TYPE	PITCH	MATERIAL	FINISH	UNBRAKO PART #	EARNEST PART #
5/8-11x1/2	Plain Cup Point	Coarse	Alloy Steel	Black Oxide	109923	969498
5/8-11x5/8	Plain Cup Point	Coarse	Alloy Steel	Black Oxide	109939	969507
5/8-11x3/4	Plain Cup Point	Coarse	Alloy Steel	Black Oxide	109957	969504
5/8-11x1	Plain Cup Point	Coarse	Alloy Steel	Black Oxide	109990	969471
5/8-11x1-1/4	Plain Cup Point	Coarse	Alloy Steel	Black Oxide	110006	969477
5/8-11x1-1/2	Plain Cup Point	Coarse	Alloy Steel	Black Oxide	110022	969483
5/8-11x1-3/4	Plain Cup Point	Coarse	Alloy Steel	Black Oxide	110038	969489
5/8-18x5/8	Plain Cup Point	Fine	Alloy Steel	Black Oxide	115480	969522
5/8-18x1	Plain Cup Point	Fine	Alloy Steel	Black Oxide	115497	969516

Unbrako Knurled Cup Point Socket Set Screw - Metric

SIZE	TYPE	PITCH	MATERIAL	FINISH	UNBRAKO PART #	EARNEST PART #
M3-0.5x3	Knurled Cup Point	Coarse	Alloy Steel	Black Oxide	104076	970053
M3-0.5x4	Knurled Cup Point	Coarse	Alloy Steel	Black Oxide	103172	970059
M3-0.5x5	Knurled Cup Point	Coarse	Alloy Steel	Black Oxide	103175	970065
M3-0.5x6	Knurled Cup Point	Coarse	Alloy Steel	Black Oxide	103176	970071
M3-0.5x8	Knurled Cup Point	Coarse	Alloy Steel	Black Oxide	103177	970080
M3-0.5x10	Knurled Cup Point	Coarse	Alloy Steel	Black Oxide	103178	970083
M3-0.5x12	Knurled Cup Point	Coarse	Alloy Steel	Black Oxide	103179	970086
M3-0.5x16	Knurled Cup Point	Coarse	Alloy Steel	Black Oxide	103180	970089
M4-0.7x4	Knurled Cup Point	Coarse	Alloy Steel	Black Oxide	103182	970092
M4-0.7x5	Knurled Cup Point	Coarse	Alloy Steel	Black Oxide	103185	970098
M4-0.7x6	Knurled Cup Point	Coarse	Alloy Steel	Black Oxide	103186	970104
M4-0.7x8	Knurled Cup Point	Coarse	Alloy Steel	Black Oxide	103187	970113
M4-0.7x10	Knurled Cup Point	Coarse	Alloy Steel	Black Oxide	103188	970122
M4-0.7x12	Knurled Cup Point	Coarse	Alloy Steel	Black Oxide	103189	970128
M4-0.7x15	Knurled Cup Point	Coarse	Alloy Steel	Black Oxide	401084	970131
M4-0.7x16	Knurled Cup Point	Coarse	Alloy Steel	Black Oxide	103191	970134
M4-0.7x20	Knurled Cup Point	Coarse	Alloy Steel	Black Oxide	103193	970137
M5-0.8x5	Knurled Cup Point	Coarse	Alloy Steel	Black Oxide	103194	970140
M5-0.8x6	Knurled Cup Point	Coarse	Alloy Steel	Black Oxide	103195	970146
M5-0.8x8	Knurled Cup Point	Coarse	Alloy Steel	Black Oxide	103196	970155
M5-0.8x10	Knurled Cup Point	Coarse	Alloy Steel	Black Oxide	103197	970158
M5-0.8x12	Knurled Cup Point	Coarse	Alloy Steel	Black Oxide	103198	970164
M5-0.8x15	Knurled Cup Point	Coarse	Alloy Steel	Black Oxide	401099	970170
M5-0.8x16	Knurled Cup Point	Coarse	Alloy Steel	Black Oxide	103199	970173
M5-0.8x20	Knurled Cup Point	Coarse	Alloy Steel	Black Oxide	103202	970179
M5-0.8x25	Knurled Cup Point	Coarse	Alloy Steel	Black Oxide	103203	970182
M5-0.8x30	Knurled Cup Point	Coarse	Alloy Steel	Black Oxide	103204	970185

Unbrako Knurled Cup Point Socket Set Screw - Metric

SIZE	TYPE	PITCH	MATERIAL	FINISH	UNBRAKO PART #	EARNEST PART #
M6-1.0x6	Knurled Cup Point	Coarse	Alloy Steel	Black Oxide	103207	970188
M6-1.0x8	Knurled Cup Point	Coarse	Alloy Steel	Black Oxide	103208	970197
M6-1.0x10	Knurled Cup Point	Coarse	Alloy Steel	Black Oxide	103209	970206
M6-1.0x12	Knurled Cup Point	Coarse	Alloy Steel	Black Oxide	103211	970221
M6-1.0x15	Knurled Cup Point	Coarse	Alloy Steel	Black Oxide	401087	970230
M6-1.0x16	Knurled Cup Point	Coarse	Alloy Steel	Black Oxide	103212	970233
M6-1.0x20	Knurled Cup Point	Coarse	Alloy Steel	Black Oxide	103214	970242
M6-1.0x25	Knurled Cup Point	Coarse	Alloy Steel	Black Oxide	103217	970248
M6-1.0x30	Knurled Cup Point	Coarse	Alloy Steel	Black Oxide	103218	970257
M6-1.0x35	Knurled Cup Point	Coarse	Alloy Steel	Black Oxide	103219	970260
M6-1.0x40	Knurled Cup Point	Coarse	Alloy Steel	Black Oxide	103220	970263
M6-1.0x45	Knurled Cup Point	Coarse	Alloy Steel	Black Oxide	103221	970266
M6-1.0x50	Knurled Cup Point	Coarse	Alloy Steel	Black Oxide	103222	970269

M8-1.25x8	Knurled Cup Point	Coarse	Alloy Steel	Black Oxide	103224	970272
M8-1.25x10	Knurled Cup Point	Coarse	Alloy Steel	Black Oxide	103227	970281
M8-1.25x12	Knurled Cup Point	Coarse	Alloy Steel	Black Oxide	103228	970290
M8-1.25x15	Knurled Cup Point	Coarse	Alloy Steel	Black Oxide	401091	970299
M8-1.25x16	Knurled Cup Point	Coarse	Alloy Steel	Black Oxide	103229	970302
M8-1.25x20	Knurled Cup Point	Coarse	Alloy Steel	Black Oxide	103230	970308
M8-1.25x25	Knurled Cup Point	Coarse	Alloy Steel	Black Oxide	103231	970314
M8-1.25x30	Knurled Cup Point	Coarse	Alloy Steel	Black Oxide	103235	970323
M8-1.25x35	Knurled Cup Point	Coarse	Alloy Steel	Black Oxide	103236	970329
M8-1.25x40	Knurled Cup Point	Coarse	Alloy Steel	Black Oxide	103237	970332
M8-1.25x50	Knurled Cup Point	Coarse	Alloy Steel	Black Oxide	103240	970341

M10-1.5x10	Knurled Cup Point	Coarse	Alloy Steel	Black Oxide	103241	969882
M10-1.5x12	Knurled Cup Point	Coarse	Alloy Steel	Black Oxide	103244	969888
M10-1.5x15	Knurled Cup Point	Coarse	Alloy Steel	Black Oxide	401094	969891
M10-1.5x16	Knurled Cup Point	Coarse	Alloy Steel	Black Oxide	103245	969894
M10-1.5x20	Knurled Cup Point	Coarse	Alloy Steel	Black Oxide	103246	969903
M10-1.5x25	Knurled Cup Point	Coarse	Alloy Steel	Black Oxide	103247	969912
M10-1.5x30	Knurled Cup Point	Coarse	Alloy Steel	Black Oxide	103249	969918
M10-1.5x35	Knurled Cup Point	Coarse	Alloy Steel	Black Oxide	103251	969921
M10-1.5x40	Knurled Cup Point	Coarse	Alloy Steel	Black Oxide	103252	969924
M10-1.5x45	Knurled Cup Point	Coarse	Alloy Steel	Black Oxide	103253	969927
M10-1.5x50	Knurled Cup Point	Coarse	Alloy Steel	Black Oxide	103254	969930

Unbrako Knurled Cup Point Socket Set Screw - Metric

SIZE	TYPE	PITCH	MATERIAL	FINISH	UNBRAKO PART #	EARNEST PART #
M12-1.75x12	Knurled Cup Point	Coarse	Alloy Steel	Black Oxide	103256	969933
M12-1.75x16	Knurled Cup Point	Coarse	Alloy Steel	Black Oxide	103258	969942
M12-1.75x20	Knurled Cup Point	Coarse	Alloy Steel	Black Oxide	103259	969948
M12-1.75x25	Knurled Cup Point	Coarse	Alloy Steel	Black Oxide	103260	969957
M12-1.75x30	Knurled Cup Point	Coarse	Alloy Steel	Black Oxide	103261	969966
M12-1.75x35	Knurled Cup Point	Coarse	Alloy Steel	Black Oxide	103262	969969
M12-1.75x40	Knurled Cup Point	Coarse	Alloy Steel	Black Oxide	103263	969972
M12-1.75x45	Knurled Cup Point	Coarse	Alloy Steel	Black Oxide	103269	969978
M12-1.75x50	Knurled Cup Point	Coarse	Alloy Steel	Black Oxide	103270	969981
M12-1.75x60	Knurled Cup Point	Coarse	Alloy Steel	Black Oxide	103272	969990

M16-2x16	Knurled Cup Point	Coarse	Alloy Steel	Black Oxide	106352	969993
M16-2x20	Knurled Cup Point	Coarse	Alloy Steel	Black Oxide	103274	969996
M16-2x25	Knurled Cup Point	Coarse	Alloy Steel	Black Oxide	103276	969999
M16-2x30	Knurled Cup Point	Coarse	Alloy Steel	Black Oxide	103277	970002
M16-2x35	Knurled Cup Point	Coarse	Alloy Steel	Black Oxide	103278	970005
M16-2x40	Knurled Cup Point	Coarse	Alloy Steel	Black Oxide	103279	970008
M16-2x50	Knurled Cup Point	Coarse	Alloy Steel	Black Oxide	103282	970011
M16-2x55	Knurled Cup Point	Coarse	Alloy Steel	Black Oxide	103283	970014
M16-2x60	Knurled Cup Point	Coarse	Alloy Steel	Black Oxide	103284	970017

M20-2.5x25	Knurled Cup Point	Coarse	Alloy Steel	Black Oxide	103286	970032
M20-2.5x30	Knurled Cup Point	Coarse	Alloy Steel	Black Oxide	103287	970035
M20-2.5x35	Knurled Cup Point	Coarse	Alloy Steel	Black Oxide	103288	970038
M20-2.5x40	Knurled Cup Point	Coarse	Alloy Steel	Black Oxide	103289	970041
M20-2.5x50	Knurled Cup Point	Coarse	Alloy Steel	Black Oxide	103292	970044
M20-2.5x60	Knurled Cup Point	Coarse	Alloy Steel	Black Oxide	103294	970047

Unbrako Plain Cup Point Socket Set Screw - Metric

SIZE	TYPE	PITCH	MATERIAL	FINISH	UNBRAKO PART #	EARNEST PART #
M2.5-0.45x3	Plain Cup Point	Coarse	Alloy Steel	Black Oxide	104173	970020
M2.5-0.45x6	Plain Cup Point	Coarse	Alloy Steel	Black Oxide	104115	970023
M2.5-0.45x8	Plain Cup Point	Coarse	Alloy Steel	Black Oxide	104116	970026
M2.5-0.45x10	Plain Cup Point	Coarse	Alloy Steel	Black Oxide	104117	970029

M3-0.5x3	Plain Cup Point	Coarse	Alloy Steel	Black Oxide	120917	970056
M3-0.5x4	Plain Cup Point	Coarse	Alloy Steel	Black Oxide	104045	970062
M3-0.5x5	Plain Cup Point	Coarse	Alloy Steel	Black Oxide	104048	970068
M3-0.5x6	Plain Cup Point	Coarse	Alloy Steel	Black Oxide	104050	970074

Unbrako Plain Cup Point Socket Set Screw - Metric

SIZE	TYPE	PITCH	MATERIAL	FINISH	UNBRAKO PART #	EARNEST PART #
M4-0.7x4	Plain Cup Point	Coarse	Alloy Steel	Black Oxide	104051	970095
M4-0.7x5	Plain Cup Point	Coarse	Alloy Steel	Black Oxide	104052	970101
M4-0.7x6	Plain Cup Point	Coarse	Alloy Steel	Black Oxide	104053	970107
M4-0.7x8	Plain Cup Point	Coarse	Alloy Steel	Black Oxide	104054	970116

M5-0.8x5	Plain Cup Point	Coarse	Alloy Steel	Black Oxide	104057	970143
M5-0.8x6	Plain Cup Point	Coarse	Alloy Steel	Black Oxide	104058	970149
M5-0.8x10	Plain Cup Point	Coarse	Alloy Steel	Black Oxide	104060	970161
M5-0.8x12	Plain Cup Point	Coarse	Alloy Steel	Black Oxide	107871	970167

M6-1.0x6	Plain Cup Point	Coarse	Alloy Steel	Black Oxide	104061	970191
M6-1.0x8	Plain Cup Point	Coarse	Alloy Steel	Black Oxide	114523	970200
M6-1.0x10	Plain Cup Point	Coarse	Alloy Steel	Black Oxide	105882	970209
M6-1.0x12	Plain Cup Point	Coarse	Alloy Steel	Black Oxide	104064	970224
M6-1.0x16	Plain Cup Point	Coarse	Alloy Steel	Black Oxide	108121	970239
M6-1.0x25	Plain Cup Point	Coarse	Alloy Steel	Black Oxide	108122	970251

M8-1.25x8	Plain Cup Point	Coarse	Alloy Steel	Black Oxide	116965	970275
M8-1.25x10	Plain Cup Point	Coarse	Alloy Steel	Black Oxide	119229	970287
M8-1.25x12	Plain Cup Point	Coarse	Alloy Steel	Black Oxide	117455	970293

M10-1.5x16	Plain Cup Point	Coarse	Alloy Steel	Black Oxide	104073	969897
M10-1.5x20	Plain Cup Point	Coarse	Alloy Steel	Black Oxide	104074	969906
M10-1.5x25	Plain Cup Point	Coarse	Alloy Steel	Black Oxide	122205	969915

M12-1.75x12	Plain Cup Point	Coarse	Alloy Steel	Black Oxide	108056	969936
M12-1.75x20	Plain Cup Point	Coarse	Alloy Steel	Black Oxide	108053	969951

Unbrako Dog Point Socket Set Screw - Metric

SIZE	TYPE	PITCH	MATERIAL	FINISH	UNBRAKO PART #	EARNEST PART #
M3-0.5x6	Full Dog Point	Coarse	Alloy Steel	Black Oxide	120185	970077

M4-0.7x6	Full Dog Point	Coarse	Alloy Steel	Black Oxide	120195	970110
M4-0.7x8	Full Dog Point	Coarse	Alloy Steel	Black Oxide	120197	970119

M5-0.8x6	Full Dog Point	Coarse	Alloy Steel	Black Oxide	120209	970152
M5-0.8x16	Full Dog Point	Coarse	Alloy Steel	Black Oxide	120212	970176

Unbrako Dog Point Socket Set Screw - Metric

SIZE	TYPE	PITCH	MATERIAL	FINISH	UNBRAKO PART #	EARNEST PART #
M6-1.0x8	Full Dog Point	Coarse	Alloy Steel	Black Oxide	120216	970203
M6-1.0x10	Full Dog Point	Coarse	Alloy Steel	Black Oxide	122149	970218
M6-1.0x12	Full Dog Point	Coarse	Alloy Steel	Black Oxide	108112	970227
M6-1.0x16	Full Dog Point	Coarse	Alloy Steel	Black Oxide	108099	970236
M6-1.0x20	Full Dog Point	Coarse	Alloy Steel	Black Oxide	108034	970245
M6-1.0x25	Full Dog Point	Coarse	Alloy Steel	Black Oxide	108159	970254

M8-1.25x8	Half Dog Point	Coarse	Alloy Steel	Black Oxide	120222	970278
M8-1.25x10	Full Dog Point	Coarse	Alloy Steel	Black Oxide	107983	970284
M8-1.25x12	Full Dog Point	Coarse	Alloy Steel	Black Oxide	120226	970296
M8-1.25x16	Full Dog Point	Coarse	Alloy Steel	Black Oxide	120227	970305
M8-1.25x20	Full Dog Point	Coarse	Alloy Steel	Black Oxide	121121	970311
M8-1.25x25	Full Dog Point	Coarse	Alloy Steel	Black Oxide	120228	970320
M8-1.25x30	Full Dog Point	Coarse	Alloy Steel	Black Oxide	108188	970326
M8-1.25x40	Full Dog Point	Coarse	Alloy Steel	Black Oxide	108146	970335

M10-1.5x10	Half Dog Point	Coarse	Alloy Steel	Black Oxide	108207	969885
M10-1.5x16	Full Dog Point	Coarse	Alloy Steel	Black Oxide	108191	969900
M10-1.5x20	Full Dog Point	Coarse	Alloy Steel	Black Oxide	108113	969909

M12-1.75x12	Half Dog Point	Coarse	Alloy Steel	Black Oxide	120242	969939
M12-1.75x20	Full Dog Point	Coarse	Alloy Steel	Black Oxide	120243	969954
M12-1.75x25	Full Dog Point	Coarse	Alloy Steel	Black Oxide	120244	969960
M12-1.75x40	Full Dog Point	Coarse	Alloy Steel	Black Oxide	107982	969975
M12-1.75x50	Full Dog Point	Coarse	Alloy Steel	Black Oxide	120248	969987

M20-2.5x60	Full Dog Point	Coarse	Alloy Steel	Black Oxide	120275	970050
------------	----------------	--------	-------------	-------------	--------	--------

Unbrako Flat Point Socket Set Screw - Metric

SIZE	TYPE	PITCH	MATERIAL	FINISH	UNBRAKO PART #	EARNEST PART #
M6-1x10	Flat Point	Coarse	Alloy Steel	Black Oxide	108111	970212

M8-1.25x25	Flat Point	Coarse	Alloy Steel	Black Oxide	106340	970317
M8-1.25x40	Flat Point	Coarse	Alloy Steel	Black Oxide	120017	970338

M12-1.75x25	Flat Point	Coarse	Alloy Steel	Black Oxide	125795	969963
M12-1.75x50	Flat Point	Coarse	Alloy Steel	Black Oxide	120033	969984

Unbrako Cone Point Socket Set Screw - Metric

SIZE	TYPE	PITCH	MATERIAL	FINISH	UNBRAKO PART #	EARNEST PART #
M4-0.7x10	Cone Point	Coarse	Alloy Steel	Black Oxide	120077	970125
M6-1.0x6	Cone Point	Coarse	Alloy Steel	Black Oxide	108209	970194
M6-1.0x10	Cone Point	Coarse	Alloy Steel	Black Oxide	108210	970215
M12-1.75x16	Cone Point	Coarse	Alloy Steel	Black Oxide	120129	969945