



Designed for high-performance critical applications – Unbrako Durlok Anti Vibration Flange Nuts are manufactured to be harder, longer lasting, reusable, and include a built-in flange that distributes the clamping load over a wider area. Earnest Machine stocks Unbrako Durlok Hex Serrated Flange Screws in metric sizes ranging from M5 to M20

**PRODUCT ATTRIBUTES**

Designed for high-performance critical applications
Built-in washer distributes clamping load over wider area
Replaces traditional nut and lock washer applications
Sizes range from M5 to M20

MARKETS FOR UNBRAKO DURLOK HEX SERRATED FLANGE NUTS

Agriculture Equipment
Commercial Lawn Equipment
Robotics & Automation
Automotive

THIS PRODUCT IS OFTEN CALLED...

Spin Lock
Whiz Lock Nut
Serrated Tooth Nut
Serrated Hex Washer Nut

AVAILABLE VALUE ADDED SERVICES

Bulk, full case & broken quantities
Secondary & rework services available
Custom packaging services
Custom plating

ADDITIONAL HEX FLANGE PRODUCT WE SUPPLY

Hex Flange Lag Screws
Hex Flange Screws
Metric & JIS Hex Flange Screws
Metric Stainless Steel Hex Flange Screws
Hex Serrated Flange Screws
Large Flange Hex Serrated Flange Screws
Stainless Steel Hex Serrated Flange Screws
Metric Hex Serrated Flange Screws
Hex Flange Nuts
Metric & JIS Hex Flange Nuts
Metric Stainless Steel Hex Flange Nuts
Hex Serrated Flange Lock Nuts
Large Flange Hex Serrated Flange Lock Nuts
Stainless Steel Hex Serrated Flange Lock Nuts
Metric & JIS Hex Serrated Flange Lock Nuts
All Metal Hex Flange Lock Nuts
Metric All Metal Hex Flange Lock Nuts
Nylon Insert Hex Flange Lock Nuts
Metric Nylon Insert Flange Lock Nuts

BACKED BY THE EARNEST

Service
GUARANTEE**The right part.
The right quantity.
On-time.
Everytime.**

METRIC CLASS 12 UNBRAKO DURLOK HEX SERRATED FLANGE NUTS

Unbrako Durlok Hex Serrated Flange Nuts are manufactured in accordance with the latest revision of the following industry standards:

- DIN 6923** Dimensional Requirements
- ISO 898-2** Material and Physical Properties
- ISO 261** Thread Requirements
- ISO 6157-2** Surface Discontinuities
- ISO 3269** Inspection and Quality Assurance

THREADS

Threads are made to the requirements of ISO 261
 ISO 965-2 Class 6H
 Thread acceptance per ISO 1502

PLATING

Black Oxide

MATERIAL AND PHYSICAL PROPERTIES

Property Class 12



Chemical Composition:

CARBON (C)	MANGANESE (MN)	PHOSPHORUS (P)	SULFUR (S)
Max	Min	Max	Max
0.58	0.30	0.048	0.058

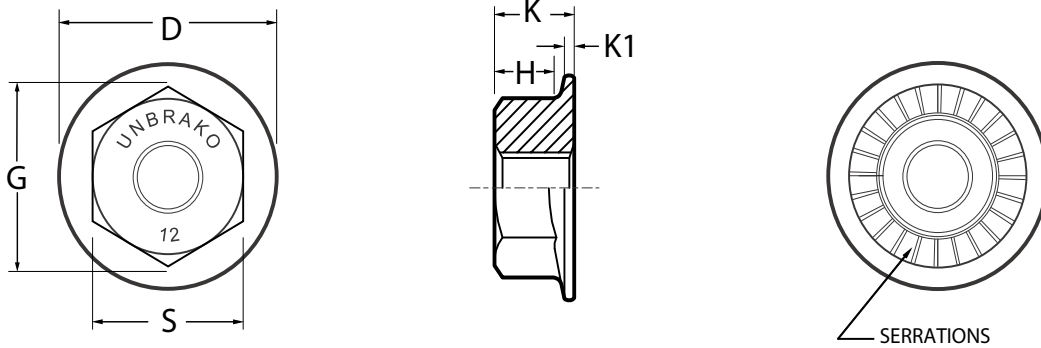
Hardness

PROPERTY CLASS 12
HRC 28/36

Tensile Strength

PROPERTY CLASS 12
1240 MPa min

DIMENSIONS FOR METRIC CLASS 12 UNBRAKO DURLOK SERRATED FLANGE NUTS



SIZE	WIDTH ACROSS FLATS (S)		WIDTH ACROSS CORNERS (G)	FLANGE DIAMETER (D)	NUT THICKNESS (K)		FLANGE THICKNESS (K1)	WRENCH HEIGHT (H)
	MAX	MIN	MIN	MAX	MAX	MIN	MIN	MIN
M5	8	7.78	8.79	12	4.5	3.7	1.0	2.46
M6	10	9.78	11.05	14	5.2	4.5	1.1	3.06
M8	13	12.73	14.38	18	7.2	6.5	1.3	4.60
M10	15	14.73	16.64	21	9.0	8.3	1.6	5.90
M12	19	18.73	21.03	25	11.0	10.3	1.9	7.45
M14	22	21.67	24.36	28	12.5	11.7	2.2	8.55
M16	24	23.67	26.75	32	16.0	15.2	2.3	10.25
M20	30	29.67	32.95	39	18.0	17.2	2.9	13.05

Unbrako Durlok Hex Serrated Flange Nuts - Metric

Metric Class 12

SIZE	GRADE	THREAD	FINISH	PART #
M6-1.0	ISO 12	Coarse	Black Oxide	962821
M8-1.25	ISO 12	Coarse	Black Oxide	962830
M10-1.5	ISO 12	Coarse	Black Oxide	962800
M12-1.75	ISO 12	Coarse	Black Oxide	962803
M14-2.0	ISO 12	Coarse	Black Oxide	962806
M16-2.0	ISO 12	Coarse	Black Oxide	962812
M20-2.5	ISO 12	Coarse	Black Oxide	962818