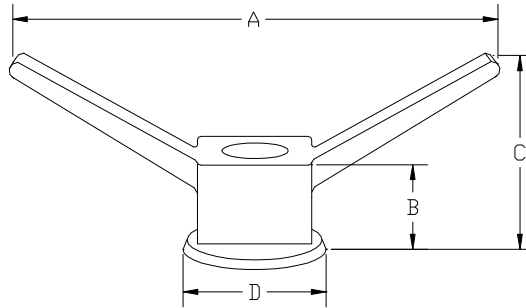


Wing Nut with Coil Thread



Size	Wing Span A	Body Height B	Overall Height C	Base Diameter D
1/2" – 6	5"	1 1/4"	2 3/8"	1 3/8"
3/4" – 4 1/2	5 7/8"	1 1/4"	2 1/2"	1 3/4"
1" – 3 1/2"	6"	1 5/8"	3"	2"

“Coil thread” wing nuts are designed to be used with coiled thread hex bolts and rods for quick assembly and disassembly of concrete forms. The special wide with a rounded root coil thread form is self cleaning.

Material

Ductile iron - provides excellent toughness

Size	Safe Working Load Tension (lbs)
1/2" – 6	9,000
3/4" – 4 1/2	18,000
1" – 3 1/2"	38,000

Wing nuts can be installed with finger pressure or can be tightened by lightly rapping with a hammer to snug up the assembly.