

Hex Flange Screw

A wider clamping area for a stronger, more durable assembly.

Commonly used to secure components to truck frames, Hex Flange Screws offer a built-in flange that distributes the clamping load over a wider area, eliminating the need for a separate washer. Earnest Machine stocks a large selection of high-strength, inch, metric, and JIS hex flange screws ready-to-ship the same day.

PRODUCT ATTRIBUTES

Built-in washer distributes clamping load over wider area

Replaces traditional hex cap screw and washer applications

Sizes range from #10 to 7/8"; M5 to M18

MARKETS FOR HEX FLANGE SCREWS

Heavy Truck

Construction Equipment

Agriculture Equipment

Food Processing Equipment

Automotive

THIS PRODUCT IS OFTEN CALLED...

Frame Bolt

Hex Flange Bolt

Flange Bolt

Hex Washer Head Bolt

AVAILABLE VALUE ADDED SERVICES

Bulk, full & broken case quantities

Secondary & rework services

Custom packaging services

Custom plating



ADDITIONAL HEX FLANGE PRODUCT WE SUPPLY

Hex Flange Lag Screws

Hex Serrated Flange Screws

Large Flange Hex Serrated Flange Screws

Stainless Steel Hex Serrated Flange Screws

Metric Hex Serrated Flange Screws

Hex Flange Nuts

Metric & JIS Hex Flange Nuts

Metric Stainless Steel Hex Flange Nuts

Hex Serrated Flange Lock Nuts

Large Flange Hex Serrated Flange Lock Nuts

Stainless Steel Hex Serrated Flange Lock Nuts

Metric & JIS Hex Serrated Flange Lock Nuts

All Metal Hex Flange Lock Nuts

Metric All Metal Hex Flange Lock Nuts

Nylon Insert Hex Flange Lock Nuts

Metric Nylon Insert Flange Lock Nuts

BACKED BY THE EARNEST

Service
GUARANTEE

**The right part.
The right quantity.
On-time.
Everytime.**

GRADE 8 & GRADE 5 HEX FLANGE SCREWS

Hex Flange Screws are manufactured in accordance with the latest revision of the following industry standards:

- IFI-111** Dimensional Requirements
- ASME B18.6.3** Dimensional Requirements for Machine Screws
- SAE J429** Material and Strength Level
- ASME B1.1** Thread Requirements
- ASTM F788** Surface Discontinuities
- ASME B18.18** Inspection and Quality Assurance

THREADS

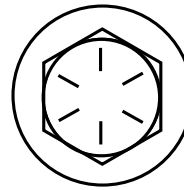
Threads are made to the requirements of ASME B1.1 Unified Threads (UNC and UNF) Class 2A
Thread acceptance per ASME B1.3, System 21

PLATING

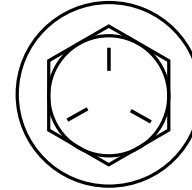
SAE J429 GRADE 8	SAE J429 GRADE 5
Plain	n/a
Phos and Oil	n/a
Zinc Clear (RoHS compliant Cr3+)	Zinc Clear (RoHS compliant Cr3+)
Zinc Yellow	Zinc Yellow

MATERIAL AND PHYSICAL PROPERTIES

Grade 8



Grade 5



Chemical Composition:

GRADE	CARBON (C)		PHOSPHORUS (P)	SULFUR (S)
	Max	Min	Max	Max
8	0.55	0.25	0.025	0.025
5	0.55	0.15	0.025	0.003

Alloy

SAE J429 GRADE 8	SAE J429 GRADE 5
Mn, Cr, Mo, Ni, V, B	n/a

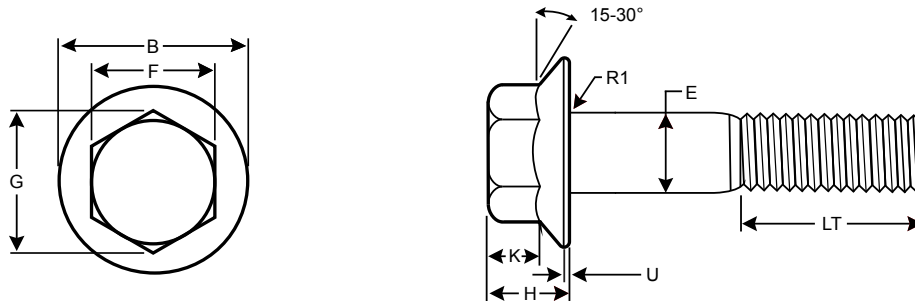
Hardness

SAE J429 GRADE 8	SAE J429 GRADE 5
HRC 33/39	HRC 25/34

Tensile Strength

SAE J429 GRADE 8	SAE J429 GRADE 5
150,000 psi min	120,000 psi min

DIMENSIONS FOR GRADE 8 & GRADE 5 HEX FLANGE SCREWS



SIZE	GRADE	WIDTH ACROSS FLATS (F)		WIDTH ACROSS CORNERS (G)		FLANGE DIAMETER (B)	BODY DIAMETER (E)		HEIGHT OF HEAD (H)	FLANGE THICKNESS (U)	WRENCH HEIGHT (K)	FILLET (R1)	THREAD LENGTH (LT)
		MAX	MIN	MAX	MIN		MAX	MIN					
#10	8 & 5	0.312	0.305	0.360	0.340	0.460	0.190	0.184	0.200	0.02	0.110	0.010	Full
1/4	8 & 5	0.375	0.367	0.433	0.409	0.56	0.2500	0.2450	0.28	0.04	0.17	0.015	0.750"
5/16	8 & 5	0.500	0.489	0.577	0.548	0.68	0.3125	0.3065	0.32	0.05	0.21	0.015	0.875"
3/8	8 & 5	0.562	0.551	0.650	0.618	0.81	0.3750	0.3690	0.39	0.06	0.25	0.015	1.000"
7/16	8	0.625	0.612	0.722	0.685	0.93	0.4375	0.4305	0.46	0.07	0.30	0.015	1.125"
1/2	8 & 5	0.750	0.736	0.866	0.825	1.07	0.5000	0.4930	0.51	0.08	0.34	0.015	1.250"
5/8	8	0.937	0.922	1.083	1.034	1.33	0.6250	0.6170	0.62	0.10	0.42	0.020	1.500"
3/4	8	1.125	1.100	1.299	1.234	1.59	0.7500	0.7410	0.73	0.11	0.51	0.020	1.750"
7/8	8	1.312	1.269	1.515	1.444	1.870	0.875	0.866	0.840	0.120	0.60	0.040	2.000"

*The specifications shown on this sheet are not intended to be used in the production of parts. Earnest Machine is not responsible or liable in any manner for any production errors and we certify the information present on this specification sheet is correct to the best of our knowledge. ©2021 Earnest Machine Products

**METRIC CLASS 10.9 & CLASS 8.8
HEX FLANGE SCREWS**

Hex Flange Screws are manufactured in accordance with the latest revision of the following industry standards:

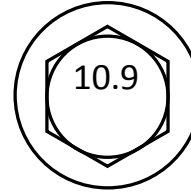
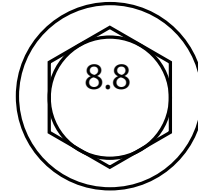
DIN 6921	Dimensional Requirements
ISO 898-1	Material and Physical Properties
ISO 261	Thread Requirements
ISO 6157-1	Surface Discontinuities
ISO 3269	Inspection and Quality Assurance

THREADS

Threads are made to the requirements of ISO 261
ISO 965-2 Class 6g
Thread acceptance per ISO 1502

PLATING

CLASS 10.9	CLASS 8.8
Zinc Clear (RoHS compliant Cr3+)	Zinc Clear (RoHS compliant Cr3+)
Zinc Yellow	Zinc Yellow

MATERIAL AND PHYSICAL PROPERTIES
Property Class 10.9

Property Class 8.8

Chemical Composition:

CLASS	CARBON (C)		PHOSPHORUS (P)	SULFUR (S)	BORON (B)
	Max	Min	Max	Max	Max
10.9	0.55	0.20	0.035	0.035	0.003
8.8	0.55	0.15	0.035	0.035	0.003

Alloy

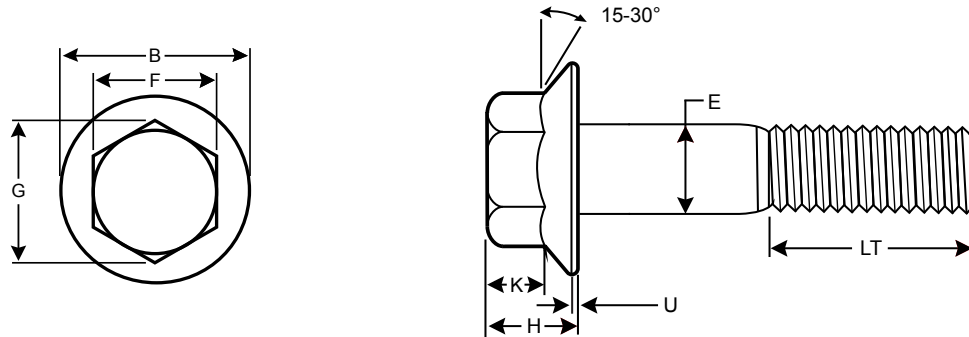
PROPERTY CLASS 10.9	PROPERTY CLASS 8.8
Mn, Cr, Mo, Ni, V, B	n/a

Hardness

CLASS 10.9	CLASS 8.8
HRC 32/39	HRC 22/32

Tensile Strength

CLASS 10.9	CLASS 8.8
1040 MPa min	800 MPa min

DIMENSIONS FOR METRIC CLASS 10.9 & CLASS 8.8 HEX FLANGE SCREWS


SIZE	CLASS	WIDTH ACROSS FLATS (F)		WIDTH ACROSS CORNERS (G)		FLANGE DIAMETER (B)	BODY DIAMETER (E)		HEIGHT OF HEAD (H)	FLANGE THICKNESS (U)	WRENCH HEIGHT (K)	"LT" PARTIAL THREAD
		MAX	MIN	MAX	MIN		MAX	MIN				
M5-0.80	10.9	8.00	7.78		8.71	11.80	5.00	4.82	5.40	1.00	2.00	16
M6-1.0	10.9 & 8.8	10.00	9.78		10.95	14.20	6.00	5.82	6.60	1.10	2.50	18
M8-1.25	10.9 & 8.8	13.00	12.73		14.26	18.00	8.00	7.78	8.10	1.20	3.20	22
M10-1.5	10.9 & 8.8	15.00	14.73		16.50	22.30	10.00	9.78	9.20	1.50	3.60	26
M12-1.75	10.9 & 8.8	16.00	15.73		17.62	26.60	12.00	11.73	11.50	1.80	4.60	30
M14-2.0	10.9	18.00	17.73		19.86	30.50	14.00	13.73	12.80	2.10	5.10	34
M16-2.0	10.9	21.00	20.67		23.15	35.00	16.00	15.73	14.40	2.40	5.80	38

*The specifications shown on this sheet are not intended to be used in the production of parts. Earnest Machine is not responsible or liable in any manner for any production errors and we certify the information present on this specification sheet is correct to the best of our knowledge. ©2021 Earnest Machine Products

JIS METRIC CLASS 10.9 HEX FLANGE SCREW

Hex Flange Screws are manufactured in accordance with the latest revision of the following industry standards:

JIS J11 89	Dimensional Requirements
ISO 898-1	Material and Physical Properties
ISO 261	Thread Requirements
ISO 6157-1	Surface Discontinuities
ISO 3269	Inspection and Quality Assurance

THREADS

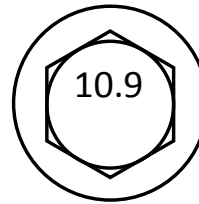
Threads are made to the requirements of ISO 261
ISO 965-2 Class 6g
Thread acceptance per ISO 1502

PLATING

Zinc Clear (RoHS compliant Cr3+)

MATERIAL AND PHYSICAL PROPERTIES

Property Class 10.9 JIS Metric



Chemical Composition:

CARBON (C)		PHOSPHORUS (P)	SULFUR (S)	BORON (B)
Max	Min	Max	Max	Max
0.55	0.20	0.035	0.035	0.003

Alloy

ISO 898-1 PC 10.9 (CONTAINING ONE OR MORE OF THE FOLLOWING)

Mn, Cr, Mo, Ni, V, B

Hardness

METRIC 10.9 JIS

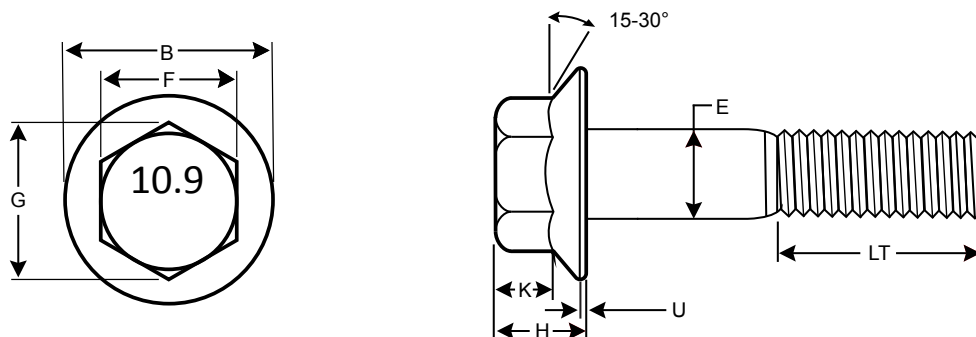
HRC 32/39

Tensile Strength

METRIC 10.9 JIS

1040 MPa min

DIMENSIONS FOR JIS METRIC CLASS 10.9 HEX FLANGE SCREW



SIZE	WIDTH ACROSS FLATS (F)		WIDTH ACROSS CORNERS (G)		FLANGE DIAMETER (B)	BODY DIAMETER (E)		HEIGHT OF HEAD (H)	FLANGE THICKNESS (U)	WRENCH HEIGHT (K)	"LT" PARTIAL THREAD
	MAX	MIN	MAX	MIN	MAX	MAX	MIN	MAX	MIN	MIN	
M6-1.0	10.00	9.80		11.05	14.00	6.00	5.90	6.00	0.80	3.60	18-21
M8-1.25	12.00	11.75		13.25	17.50	8.00	7.85	8.00	1.00	4.80	22-25
M10-1.25	14.00	13.75		15.51	21.00	10.00	9.85	10.00	1.20	6.00	26-29
M12-1.25	17	16.75		18.90	25.00	12.00	11.80	11.50	1.40	7.20	30-33

*The specifications shown on this sheet are not intended to be used in the production of parts. Earnest Machine is not responsible or liable in any manner for any production errors and we certify the information present on this specification sheet is correct to the best of our knowledge. ©2021 Earnest Machine Products

METRIC A2-70 STAINLESS STEEL HEX FLANGE SCREW

Hex Flange Screws are manufactured in accordance with the latest revision of the following industry standards:

DIN 6921	Dimensional Requirements
ISO 3506-1	Material and Physical Properties
ISO 261	Thread Requirements
ISO 6157-1	Surface Discontinuities
ISO 3269	Inspection and Quality Assurance

THREADS

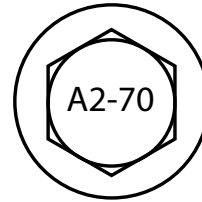
Threads are made to the requirements of ISO 261
ISO 965-2 Class 6g
Thread acceptance per ISO 1502

PLATING

Plain (Passivated)

MATERIAL AND PHYSICAL PROPERTIES

Metric A2-70 Stainless Steel



Chemical Composition:

CARBON (C)	MANGANESE (Mn)	PHOSPHORUS (P)	SULFUR (S)	SILICON (Si)	CHROMIUM (Cr)	NICKEL (Ni)
Max	Max	Max	Max	Max	Max	Max
0.10	2.00	0.05	0.030	1.0	15.0/20.0	8.0/19.0

Hardness

A2-70 METRIC STAINLESS STEEL

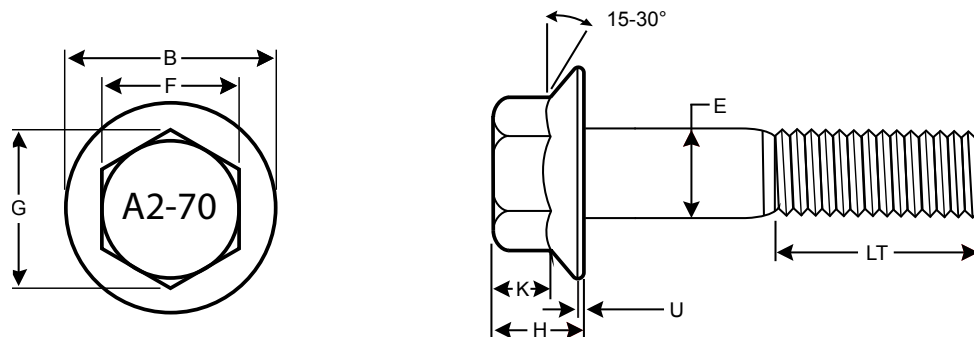
HRB 95 ref

Tensile Strength

A2-70 METRIC STAINLESS STEEL

700 MPa min

DIMENSIONS FOR METRIC A2-70 STAINLESS STEEL HEX FLANGE SCREW



SIZE	WIDTH ACROSS FLATS (F)		WIDTH ACROSS CORNERS (G)		FLANGE DIAMETER (B)	BODY DIAMETER (E)		HEIGHT OF HEAD (H)	FLANGE THICKNESS (U)	WRENCH HEIGHT (K)	"LT" PARTIAL THREAD
	MAX	MIN	MAX	MIN	MAX	MAX	MIN	MAX	MIN	MIN	
M6-1.0	10.00	9.78		10.95	14.20	6.00	5.82	6.60	1.10	2.50	18
M8-1.25	13.00	12.73		14.26	18.00	8.00	7.78	8.10	1.20	3.20	22
M10-1.5	15.00	14.73		16.50	22.30	10.00	9.78	9.20	1.50	3.60	26
M12-1.75	16.00	15.73		17.62	26.60	12.00	11.73	11.50	1.80	4.60	30

*The specifications shown on this sheet are not intended to be used in the production of parts. Earnest Machine is not responsible or liable in any manner for any production errors and we certify the information present on this specification sheet is correct to the best of our knowledge. ©2021 Earnest Machine Products

Hex Flange Screws - Inch

Grade 8

SIZE	GRADE	THREAD	PITCH	FINISH	PART #
#10-32x1/2	GR 8	Full	Coarse	Phos & Oil	821072
#10-32x3/4	GR 8	Full	Coarse	Phos & Oil	821075
#10-32x1	GR 8	Full	Coarse	Phos & Oil	821078

1/4-20x1/2	GR 8	Full	Coarse	Plain	821191
1/4-20x1/2	GR 8	Full	Coarse	Phos & Oil	821192
1/4-20x1/2	GR 8	Full	Coarse	Zinc Clear	821190T
1/4-20x1/2	GR 8	Full	Coarse	Zinc Yellow	822100
1/4-20x5/8	GR 8	Full	Coarse	Phos & Oil	821184
1/4-20x5/8	GR 8	Full	Coarse	Zinc Yellow	821186
1/4-20x3/4	GR 8	Full	Coarse	Plain	822500
1/4-20x3/4	GR 8	Full	Coarse	Phos & Oil	822686
1/4-20x3/4	GR 8	Full	Coarse	Zinc Clear	822499T
1/4-20x3/4	GR 8	Full	Coarse	Zinc Yellow	821195
1/4-20x1	GR 8	Full	Coarse	Plain	822505
1/4-20x1	GR 8	Full	Coarse	Phos & Oil	822687
1/4-20x1	GR 8	Full	Coarse	Zinc Yellow	822503
1/4-20x1	GR 8	Full	Coarse	Zinc Clear	822504T
1/4-20x1 1/4	GR 8	Full	Coarse	Plain	822510
1/4-20x1 1/4	GR 8	Partial	Coarse	Plain	821510
1/4-20x1 1/4	GR 8	Partial	Coarse	Phos & Oil	821511
1/4-20x1 1/4	GR 8	Full	Coarse	Phos & Oil	822688
1/4-20x1 1/4	GR 8	Full	Coarse	Zinc Clear	822509T
1/4-20x1 1/4	GR 8	Partial	Coarse	Zinc Clear	821509T
1/4-20x1 1/4	GR 8	Full	Coarse	Zinc Yellow	822508
1/4-20x1 1/4	GR 8	Partial	Coarse	Zinc Yellow	821508
1/4-20x1 1/2	GR 8	Partial	Coarse	Plain	822515
1/4-20x1 1/2	GR 8	Full	Coarse	Phos & Oil	822689
1/4-20x1 1/2	GR 8	Partial	Coarse	Zinc Clear	822514T
1/4-20x1 1/2	GR 8	Partial	Coarse	Zinc Yellow	822513
1/4-20x1 3/4	GR 8	Partial	Coarse	Plain	822520
1/4-20x1 3/4	GR 8	Partial	Coarse	Phos & Oil	822690
1/4-20x1 3/4	GR 8	Partial	Coarse	Zinc Clear	822519T
1/4-20x1 3/4	GR 8	Partial	Coarse	Zinc Yellow	822518
1/4-20x2	GR 8	Partial	Coarse	Plain	822525
1/4-20x2	GR 8	Partial	Coarse	Phos & Oil	822691
1/4-20x2	GR 8	Partial	Coarse	Zinc Clear	822524T
1/4-20x2	GR 8	Partial	Coarse	Zinc Yellow	822527
1/4-20x2 1/4	GR 8	Partial	Coarse	Plain	822530
1/4-20x2 1/4	GR 8	Partial	Coarse	Phos & Oil	822532
1/4-20x2 1/4	GR 8	Partial	Coarse	Zinc Yellow	822533

Grade 8

SIZE	GRADE	THREAD	PITCH	FINISH	PART #
1/4-20x2 1/2	GR 8	Partial	Coarse	Plain	822535
1/4-20x2 1/2	GR 8	Partial	Coarse	Phos & Oil	822835
1/4-20x2 1/2	GR 8	Partial	Coarse	Zinc Clear	822534T
1/4-20x2 1/2	GR 8	Partial	Coarse	Zinc Yellow	822572
1/4-20x2 3/4	GR 8	Partial	Coarse	Phos & Oil	822832
1/4-20x3	GR 8	Partial	Coarse	Plain	822545
1/4-20x3	GR 8	Partial	Coarse	Phos & Oil	822836
1/4-20x3	GR 8	Partial	Coarse	Zinc Clear	822544T
1/4-20x3	GR 8	Partial	Coarse	Zinc Yellow	822507
1/4-20x3 1/2	GR 8	Partial	Coarse	Phos & Oil	822825
1/4-20x4	GR 8	Partial	Coarse	Phos & Oil	822828

1/4-28x1/2	GR 8	Full	Fine	Plain	822546
1/4-28x3/4	GR 8	Full	Fine	Plain	822548
1/4-28x3/4	GR 8	Full	Fine	Phos & Oil	822547
1/4-28x1	GR 8	Full	Fine	Phos & Oil	822543

5/16-18x1/2	GR 8	Full	Coarse	Plain	822993
5/16-18x1/2	GR 8	Full	Coarse	Phos & Oil	822990
5/16-18x1/2	GR 8	Full	Coarse	Zinc Clear	822989T
5/16-18x1/2	GR 8	Full	Coarse	Zinc Yellow	822991
5/16-18x5/8	GR 8	Full	Coarse	Plain	821208
5/16-18x3/4	GR 8	Full	Coarse	Plain	822550
5/16-18x3/4	GR 8	Full	Coarse	Phos & Oil	822692
5/16-18x3/4	GR 8	Full	Coarse	Phos & Oil	487101
5/16-18x3/4	GR 8	Full	Coarse	Zinc Clear	822549T
5/16-18x3/4	GR 8	Full	Coarse	Zinc Yellow	821202
5/16-18x7/8	GR 8	Full	Coarse	Plain	821218
5/16-18x1	GR 8	Full	Coarse	Plain	822555
5/16-18x1	GR 8	Full	Coarse	Phos & Oil	822693
5/16-18x1	GR 8	Full	Coarse	Phos & Oil	487102
5/16-18x1	GR 8	Full	Coarse	Zinc Clear	822554T
5/16-18x1	GR 8	Full	Coarse	Zinc Yellow	822556
5/16-18x1 1/4	GR 8	Full	Coarse	Plain	822560
5/16-18x1 1/4	GR 8	Full	Coarse	Phos & Oil	822694
5/16-18x1 1/4	GR 8	Full	Coarse	Phos & Oil	487103
5/16-18x1 1/4	GR 8	Full	Coarse	Zinc Clear	822559T
5/16-18x1 1/4	GR 8	Full	Coarse	Zinc Yellow	822562
5/16-18x1 1/2	GR 8	Partial	Coarse	Plain	822565
5/16-18x1 1/2	GR 8	Partial	Coarse	Phos & Oil	822695
5/16-18x1 1/2	zGR 8	Partial	Coarse	Phos & Oil	487104

Hex Flange Screws - Inch

Grade 8

SIZE	GRADE	THREAD	PITCH	FINISH	PART #
5/16-18x1 1/2	GR 8	Partial	Coarse	Zinc Clear	822564T
5/16-18x1 1/2	GR 8	Partial	Coarse	Zinc Yellow	822567
5/16-18x1 3/4	GR 8	Partial	Coarse	Plain	822570
5/16-18x1 3/4	GR 8	Partial	Coarse	Phos & Oil	822696
5/16-18x1 3/4	GR 8	Partial	Coarse	Zinc Clear	822569T
5/16-18x1 3/4	GR 8	Partial	Coarse	Zinc Yellow	822588
5/16-18x2	GR 8	Partial	Coarse	Plain	822575
5/16-18x2	GR 8	Partial	Coarse	Phos & Oil	822697
5/16-18x2	GR 8	Partial	Coarse	Zinc Clear	822574T
5/16-18x2	GR 8	Partial	Coarse	Zinc Yellow	822577
5/16-18x2 1/4	GR 8	Partial	Coarse	Plain	822580
5/16-18x2 1/4	GR 8	Partial	Coarse	Phos & Oil	822837
5/16-18x2 1/4	GR 8	Partial	Coarse	Zinc Clear	822581T
5/16-18x2 1/4	GR 8	Partial	Coarse	Zinc Yellow	822591
5/16-18x2 1/2	GR 8	Partial	Coarse	Plain	822585
5/16-18x2 1/2	GR 8	Partial	Coarse	Phos & Oil	822839
5/16-18x2 1/2	GR 8	Partial	Coarse	Zinc Clear	822584T
5/16-18x2 1/2	GR 8	Partial	Coarse	Zinc Yellow	822587
5/16-18x2 3/4	GR 8	Partial	Coarse	Phos & Oil	822589
5/16-18x3	GR 8	Partial	Coarse	Plain	822600
5/16-18x3	GR 8	Partial	Coarse	Phos & Oil	822840
5/16-18x3	GR 8	Partial	Coarse	Zinc Clear	821600T
5/16-18x3	GR 8	Partial	Coarse	Zinc Yellow	822607
5/16-18x3 1/2	GR 8	Partial	Coarse	Zinc Yellow	822597
5/16-18x3 1/2	GR 8	Partial	Coarse	Plain	822595
5/16-18x3 1/2	GR 8	Full	Coarse	Plain	822955
5/16-18x4	GR 8	Partial	Coarse	Plain	822594
5/16-18x4	GR 8	Partial	Coarse	Zinc Clear	822593T

5/16-24x3/4	GR 8	Full	Fine	Phos & Oil	822561
5/16-24x1 1/2	GR 8	Partial	Fine	Plain	822563

3/8-16x1/2	GR 8	Full	Coarse	Plain	827803
3/8-16x1/2	GR 8	Full	Coarse	Phos & Oil	827802
3/8-16x5/8	GR 8	Full	Coarse	Plain	821710
3/8-16x5/8	GR 8	Full	Coarse	Phos & Oil	821711
3/8-16x3/4	GR 8	Full	Coarse	Plain	821712
3/8-16x3/4	GR 8	Full	Coarse	Phos & Oil	821713
3/8-16x3/4	GR 8	Full	Coarse	Phos & Oil	487105
3/8-16x3/4	GR 8	Full	Coarse	Zinc Clear	821702T
3/8-16x3/4	GR 8	Full	Coarse	Zinc Yellow	821707

Grade 8

SIZE	GRADE	THREAD	PITCH	FINISH	PART #
3/8-16x7/8	GR 8	Full	Coarse	Phos & Oil	821698
3/8-16x1	GR 8	Full	Coarse	Plain	821715
3/8-16x1	GR 8	Full	Coarse	Phos & Oil	821714
3/8-16x1	GR 8	Full	Coarse	Phos & Oil	487106
3/8-16x1	GR 8	Full	Coarse	Zinc Clear	821700T
3/8-16x1	GR 8	Full	Coarse	Zinc Yellow	821699
3/8-16x1 1/4	GR 8	Full	Coarse	Plain	821718
3/8-16x1 1/4	GR 8	Full	Coarse	Phos & Oil	821701
3/8-16x1 1/4	GR 8	Full	Coarse	Phos & Oil	487107
3/8-16x1 1/4	GR 8	Full	Coarse	Zinc Clear	821717T
3/8-16x1 1/4	GR 8	Full	Coarse	Zinc Yellow	822608
3/8-16x1 1/2	GR 8	Partial	Coarse	Plain	822721
3/8-16x1 1/2	GR 8	Full	Coarse	Plain	821721
3/8-16x1 1/2	GR 8	Partial	Coarse	Phos & Oil	822720
3/8-16x1 1/2	GR 8	Full	Coarse	Phos & Oil	821720
3/8-16x1 1/2	GR 8	Full	Coarse	Phos & Oil	487108
3/8-16x1 1/2	GR 8	Partial	Coarse	Zinc Clear	822703T
3/8-16x1 1/2	GR 8	Full	Coarse	Zinc Clear	821703T
3/8-16x1 1/2	GR 8	Partial	Coarse	Zinc Yellow	822722
3/8-16x1 1/2	GR 8	Full	Coarse	Zinc Yellow	821722
3/8-16x1 3/4	GR 8	Partial	Coarse	Plain	821724
3/8-16x1 3/4	GR 8	Partial	Coarse	Phos & Oil	821704
3/8-16x1 3/4	GR 8	Partial	Coarse	Phos & Oil	487109
3/8-16x1 3/4	GR 8	Partial	Coarse	Zinc Clear	821723T
3/8-16x1 3/4	GR 8	Partial	Coarse	Zinc Yellow	821225
3/8-16x2	GR 8	Partial	Coarse	Plain	821727
3/8-16x2	GR 8	Partial	Coarse	Phos & Oil	821140
3/8-16x2	GR 8	Partial	Coarse	Phos & Oil	487110
3/8-16x2	GR 8	Partial	Coarse	Zinc Clear	821726T
3/8-16x2	GR 8	Partial	Coarse	Zinc Yellow	821729
3/8-16x2 1/4	GR 8	Partial	Coarse	Plain	821730
3/8-16x2 1/4	GR 8	Partial	Coarse	Phos & Oil	821080
3/8-16x2 1/4	GR 8	Partial	Coarse	Phos & Oil	487111
3/8-16x2 1/4	GR 8	Partial	Coarse	Zinc Yellow	821801
3/8-16x2 1/2	GR 8	Partial	Coarse	Plain	821733
3/8-16x2 1/2	GR 8	Partial	Coarse	Phos & Oil	821081
3/8-16x2 1/2	GR 8	Partial	Coarse	Phos & Oil	487112
3/8-16x2 1/2	GR 8	Partial	Coarse	Zinc Clear	821732T
3/8-16x2 1/2	GR 8	Partial	Coarse	Zinc Yellow	821800
3/8-16x2 3/4	GR 8	Partial	Coarse	Plain	821736
3/8-16x2 3/4	GR 8	Partial	Coarse	Phos & Oil	822841

Hex Flange Screws - Inch

Grade 8

SIZE	GRADE	THREAD	PITCH	FINISH	PART #
3/8-16x2 3/4	GR 8	Partial	Coarse	Zinc Clear	821734T
3/8-16x2 3/4	GR 8	Partial	Coarse	Zinc Yellow	821398
3/8-16x3	GR 8	Partial	Coarse	Plain	821739
3/8-16x3	GR 8	Partial	Coarse	Phos & Oil	822842
3/8-16x3	GR 8	Partial	Coarse	Zinc Clear	821738T
3/8-16x3	GR 8	Partial	Coarse	Zinc Yellow	821737
3/8-16x3 1/4	GR 8	Partial	Coarse	Phos & Oil	822843
3/8-16x3 1/2	GR 8	Partial	Coarse	Plain	821235
3/8-16x3 1/2	GR 8	Partial	Coarse	Zinc Clear	821234T
3/8-16x3 1/2	GR 8	Partial	Coarse	Zinc Yellow	821237
3/8-16x4	GR 8	Partial	Coarse	Plain	821240
3/8-16x4	GR 8	Partial	Coarse	Phos & Oil	821236
3/8-16x4	GR 8	Partial	Coarse	Zinc Clear	821239T
3/8-16x4	GR 8	Partial	Coarse	Zinc Yellow	821238
3/8-16x4 1/2	GR 8	Partial	Coarse	Plain	821232
3/8-16x5	GR 8	Partial	Coarse	Plain	821241
3/8-16x5	GR 8	Partial	Coarse	Phos & Oil	821245

3/8-24x3/4	GR 8	Full	Fine	Phos & Oil	821690
3/8-24x1 1/4	GR 8	Full	Fine	Phos & Oil	821691
3/8-24x1 1/2	GR 8	Full	Fine	Phos & Oil	821692

7/16-14x3/4	GR 8	Full	Coarse	Phos & Oil	822620
7/16-14x1	GR 8	Full	Coarse	Plain	822625
7/16-14x1	GR 8	Full	Coarse	Phos & Oil	822623
7/16-14x1	GR 8	Full	Coarse	Zinc Clear	822624T
7/16-14x1 1/4	GR 8	Full	Coarse	Plain	822630
7/16-14x1 1/4	GR 8	Full	Coarse	Phos & Oil	822632
7/16-14x1 1/4	GR 8	Full	Coarse	Zinc Clear	822629T
7/16-14x1 1/4	GR 8	Full	Coarse	Zinc Yellow	822622
7/16-14x1 1/2	GR 8	Full	Coarse	Plain	822635
7/16-14x1 1/2	GR 8	Full	Coarse	Phos & Oil	822812
7/16-14x1 1/2	GR 8	Full	Coarse	Zinc Clear	822637
7/16-14x1 1/2	GR 8	Full	Coarse	Zinc Yellow	822636
7/16-14x1 3/4	GR 8	Partial	Coarse	Plain	821640
7/16-14x1 3/4	GR 8	Full	Coarse	Plain	822640
7/16-14x1 3/4	GR 8	Partial	Coarse	Phos & Oil	821610
7/16-14x1 3/4	GR 8	Full	Coarse	Phos & Oil	822610
7/16-14x1 3/4	GR 8	Full	Coarse	Zinc Yellow	822641
7/16-14x2	GR 8	Partial	Coarse	Plain	822645
7/16-14x2	GR 8	Partial	Coarse	Phos & Oil	822844

Grade 8

SIZE	GRADE	THREAD	PITCH	FINISH	PART #
7/16-14x2	GR 8	Partial	Coarse	Zinc Clear	822646T
7/16-14x2	GR 8	Partial	Coarse	Zinc Yellow	822644
7/16-14x2 1/4	GR 8	Partial	Coarse	Plain	822650
7/16-14x2 1/4	GR 8	Partial	Coarse	Phos & Oil	822652
7/16-14x2 1/2	GR 8	Partial	Coarse	Plain	822655
7/16-14x2 1/2	GR 8	Partial	Coarse	Phos & Oil	822654
7/16-14x2 1/2	GR 8	Partial	Coarse	Zinc Clear	822656T
7/16-14x2 3/4	GR 8	Partial	Coarse	Plain	822660
7/16-14x2 3/4	GR 8	Partial	Coarse	Phos & Oil	822659
7/16-14x3	GR 8	Partial	Coarse	Plain	822665
7/16-14x3	GR 8	Partial	Coarse	Phos & Oil	822663
7/16-14x3	GR 8	Partial	Coarse	Zinc Yellow	822667
7/16-14x3 1/2	GR 8	Partial	Coarse	Plain	822675
7/16-14x3 1/2	GR 8	Partial	Coarse	Zinc Clear	822674T
7/16-14x3 1/2	GR 8	Partial	Coarse	Zinc Yellow	822676
7/16-14x4	GR 8	Partial	Coarse	Plain	822685

1/2-13x3/4	GR 8	Full	Coarse	Phos & Oil	821743
1/2-13x1	GR 8	Full	Coarse	Plain	821751
1/2-13x1	GR 8	Full	Coarse	Phos & Oil	821748
1/2-13x1	GR 8	Full	Coarse	Phos & Oil	487113
1/2-13x1	GR 8	Full	Coarse	Zinc Clear	821750T
1/2-13x1	GR 8	Full	Coarse	Zinc Yellow	821749
1/2-13x1 1/4	GR 8	Full	Coarse	Plain	821754
1/2-13x1 1/4	GR 8	Full	Coarse	Phos & Oil	821742
1/2-13x1 1/4	GR 8	Full	Coarse	Phos & Oil	487114
1/2-13x1 1/4	GR 8	Full	Coarse	Zinc Clear	821753T
1/2-13x1 1/4	GR 8	Full	Coarse	Zinc Yellow	821764
1/2-13x1 1/2	GR 8	Full	Coarse	Plain	821757
1/2-13x1 1/2	GR 8	Full	Coarse	Phos & Oil	821160
1/2-13x1 1/2	GR 8	Full	Coarse	Phos & Oil	487115
1/2-13x1 1/2	GR 8	Full	Coarse	Zinc Clear	821747T
1/2-13x1 1/2	GR 8	Full	Coarse	Zinc Yellow	821752
1/2-13x1 3/4	GR 8	Full	Coarse	Plain	821760
1/2-13x1 3/4	GR 8	Full	Coarse	Phos & Oil	821756
1/2-13x1 3/4	GR 8	Full	Coarse	Phos & Oil	487116
1/2-13x1 3/4	GR 8	Full	Coarse	Zinc Clear	821759T
1/2-13x1 3/4	GR 8	Full	Coarse	Zinc Yellow	821758
1/2-13x2	GR 8	Partial	Coarse	Plain	821763
1/2-13x2	GR 8	Partial	Coarse	Phos & Oil	821761
1/2-13x2	GR 8	Partial	Coarse	Phos & Oil	487117

Hex Flange Screws - Inch

Grade 8

SIZE	GRADE	THREAD	PITCH	FINISH	PART #
1/2-13x2	GR 8	Partial	Coarse	Zinc Clear	821762T
1/2-13x2	GR 8	Partial	Coarse	Zinc Yellow	821681
1/2-13x2 1/4	GR 8	Partial	Coarse	Plain	821766
1/2-13x2 1/4	GR 8	Partial	Coarse	Phos & Oil	822776
1/2-13x2 1/4	GR 8	Partial	Coarse	Phos & Oil	487118
1/2-13x2 1/4	GR 8	Partial	Coarse	Zinc Clear	821765T
1/2-13x2 1/4	GR 8	Partial	Coarse	Zinc Yellow	821802
1/2-13x2 1/2	GR 8	Partial	Coarse	Plain	821769
1/2-13x2 1/2	GR 8	Partial	Coarse	Phos & Oil	821767
1/2-13x2 1/2	GR 8	Partial	Coarse	Phos & Oil	487119
1/2-13x2 1/2	GR 8	Partial	Coarse	Zinc Clear	821768T
1/2-13x2 1/2	GR 8	Partial	Coarse	Zinc Yellow	821770
1/2-13x2 3/4	GR 8	Partial	Coarse	Plain	821772
1/2-13x2 3/4	GR 8	Partial	Coarse	Phos & Oil	821773
1/2-13x2 3/4	GR 8	Partial	Coarse	Phos & Oil	487120
1/2-13x2 3/4	GR 8	Partial	Coarse	Zinc Clear	821771T
1/2-13x2 3/4	GR 8	Partial	Coarse	Zinc Yellow	821666
1/2-13x3	GR 8	Partial	Coarse	Plain	821775
1/2-13x3	GR 8	Partial	Coarse	Phos & Oil	821776
1/2-13x3	GR 8	Partial	Coarse	Phos & Oil	487121
1/2-13x3	GR 8	Partial	Coarse	Zinc Clear	821774T
1/2-13x3	GR 8	Partial	Coarse	Zinc Yellow	821679
1/2-13x3 1/4	GR 8	Partial	Coarse	Plain	821778
1/2-13x3 1/4	GR 8	Partial	Coarse	Phos & Oil	821741
1/2-13x3 1/4	GR 8	Partial	Coarse	Phos & Oil	487122
1/2-13x3 1/4	GR 8	Partial	Coarse	Zinc Yellow	821731
1/2-13x3 1/2	GR 8	Partial	Coarse	Plain	821781
1/2-13x3 1/2	GR 8	Partial	Coarse	Phos & Oil	821803
1/2-13x3 1/2	GR 8	Partial	Coarse	Phos & Oil	487123
1/2-13x3 1/2	GR 8	Partial	Coarse	Zinc Clear	821780T
1/2-13x3 1/2	GR 8	Partial	Coarse	Zinc Yellow	821782
1/2-13x3 3/4	GR 8	Partial	Coarse	Plain	821784
1/2-13x3 3/4	GR 8	Partial	Coarse	Phos & Oil	821805
1/2-13x3 3/4	GR 8	Partial	Coarse	Zinc Yellow	821785
1/2-13x4	GR 8	Partial	Coarse	Plain	821787
1/2-13x4	GR 8	Partial	Coarse	Phos & Oil	821789
1/2-13x4	GR 8	Partial	Coarse	Phos & Oil	487124
1/2-13x4	GR 8	Partial	Coarse	Zinc Clear	821786T
1/2-13x4	GR 8	Partial	Coarse	Zinc Yellow	821682
1/2-13x4 1/4	GR 8	Partial	Coarse	Plain	821790
1/2-13x4 1/2	GR 8	Partial	Coarse	Plain	821793

Grade 8

SIZE	GRADE	THREAD	PITCH	FINISH	PART #
1/2-13x4 1/2	GR 8	Partial	Coarse	Phos & Oil	821791
1/2-13x4 1/2	GR 8	Partial	Coarse	Phos & Oil	487125
1/2-13x4 1/2	GR 8	Partial	Coarse	Zinc Clear	821792T
1/2-13x4 1/2	GR 8	Partial	Coarse	Zinc Yellow	821693
1/2-13x5	GR 8	Partial	Coarse	Plain	821798
1/2-13x5	GR 8	Partial	Coarse	Phos & Oil	821796
1/2-13x5	GR 8	Partial	Coarse	Phos & Oil	487126
1/2-13x5	GR 8	Partial	Coarse	Zinc Clear	821797T
1/2-13x5	GR 8	Partial	Coarse	Zinc Yellow	821795
1/2-13x5 1/2	GR 8	Partial	Coarse	Plain	822948
1/2-13x5 1/2	GR 8	Partial	Coarse	Phos & Oil	822949
1/2-20x1	GR 8	Full	Fine	Plain	822165
1/2-20x1	GR 8	Full	Fine	Phos & Oil	822162
1/2-20x1	GR 8	Full	Fine	Zinc Yellow	822892
1/2-20x1 1/4	GR 8	Full	Fine	Plain	822168
1/2-20x1 1/4	GR 8	Full	Fine	Phos & Oil	821082
1/2-20x1 1/4	GR 8	Full	Fine	Phos & Oil	487127
1/2-20x1 1/4	GR 8	Full	Fine	Zinc Clear	822156T
1/2-20x1 1/4	GR 8	Full	Fine	Zinc Yellow	822893
1/2-20x1 1/2	GR 8	Full	Fine	Plain	822172
1/2-20x1 1/2	GR 8	Full	Fine	Phos & Oil	821083
1/2-20x1 1/2	GR 8	Full	Fine	Phos & Oil	487128
1/2-20x1 1/2	GR 8	Full	Fine	Zinc Clear	822171T
1/2-20x1 1/2	GR 8	Full	Fine	Zinc Yellow	822155
1/2-20x1 3/4	GR 8	Full	Fine	Plain	822175
1/2-20x1 3/4	GR 8	Full	Fine	Phos & Oil	822160
1/2-20x1 3/4	GR 8	Full	Fine	Phos & Oil	487129
1/2-20x1 3/4	GR 8	Full	Fine	Zinc Clear	822159T
1/2-20x1 3/4	GR 8	Full	Fine	Zinc Yellow	822174
1/2-20x2	GR 8	Partial	Fine	Plain	822178
1/2-20x2	GR 8	Partial	Fine	Phos & Oil	821084
1/2-20x2	GR 8	Partial	Fine	Phos & Oil	487130
1/2-20x2	GR 8	Partial	Fine	Zinc Clear	822177T
1/2-20x2	GR 8	Partial	Fine	Zinc Yellow	822184
1/2-20x2 1/4	GR 8	Partial	Fine	Plain	822182
1/2-20x2 1/4	GR 8	Partial	Fine	Phos & Oil	821085
1/2-20x2 1/4	GR 8	Partial	Fine	Phos & Oil	487131
1/2-20x2 1/4	GR 8	Partial	Fine	Zinc Clear	822181T
1/2-20x2 1/2	GR 8	Partial	Fine	Plain	822188
1/2-20x2 1/2	GR 8	Partial	Fine	Phos & Oil	821086

Hex Flange Screws - Inch

Grade 8

SIZE	GRADE	THREAD	PITCH	FINISH	PART #
1/2-20x2 1/2	GR 8	Partial	Fine	Phos & Oil	487132
1/2-20x2 1/2	GR 8	Partial	Fine	Zinc Clear	822187T
1/2-20x2 1/2	GR 8	Partial	Fine	Zinc Yellow	822894
1/2-20x2 3/4	GR 8	Partial	Fine	Plain	822190
1/2-20x2 3/4	GR 8	Partial	Fine	Phos & Oil	822846
1/2-20x2 3/4	GR 8	Partial	Fine	Zinc Clear	822158T
1/2-20x3	GR 8	Partial	Fine	Plain	822192
1/2-20x3	GR 8	Partial	Fine	Phos & Oil	822847
1/2-20x3	GR 8	Partial	Fine	Phos & Oil	487133
1/2-20x3	GR 8	Partial	Fine	Zinc Clear	822157T
1/2-20x3	GR 8	Partial	Fine	Zinc Yellow	822896
1/2-20x3 1/2	GR 8	Partial	Fine	Plain	822195
1/2-20x3 1/2	GR 8	Partial	Fine	Zinc Clear	822194T
1/2-20x4	GR 8	Partial	Fine	Plain	822205
1/2-20x4	GR 8	Partial	Fine	Phos & Oil	822848
1/2-20x4	GR 8	Partial	Fine	Phos & Oil	487134
1/2-20x4	GR 8	Partial	Fine	Zinc Clear	822204T
1/2-20x4 1/2	GR 8	Partial	Fine	Plain	822210
1/2-20x4 1/2	GR 8	Partial	Fine	Zinc Clear	822209T
1/2-20x5	GR 8	Partial	Fine	Plain	822215
1/2-20x5	GR 8	Partial	Fine	Phos & Oil	822213
1/2-20x5	GR 8	Partial	Fine	Zinc Clear	822214T

9/16x10	GR 8	Blank	Blank	Plain	822200
---------	------	-------	-------	-------	--------

5/8-11x1	GR 8	Full	Coarse	Phos & Oil	822216
5/8-11x1 1/4	GR 8	Full	Coarse	Plain	821250
5/8-11x1 1/4	GR 8	Full	Coarse	Phos & Oil	821249
5/8-11x1 1/4	GR 8	Full	Coarse	Phos & Oil	487135
5/8-11x1 1/4	GR 8	Full	Coarse	Zinc Clear	821300T
5/8-11x1 1/4	GR 8	Full	Coarse	Zinc Yellow	821301
5/8-11x1 1/2	GR 8	Full	Coarse	Plain	821253
5/8-11x1 1/2	GR 8	Full	Coarse	Phos & Oil	821252
5/8-11x1 1/2	GR 8	Full	Coarse	Phos & Oil	487136
5/8-11x1 1/2	GR 8	Full	Coarse	Zinc Clear	821244T
5/8-11x1 1/2	GR 8	Full	Coarse	Zinc Yellow	821242
5/8-11x1 3/4	GR 8	Full	Coarse	Plain	821256
5/8-11x1 3/4	GR 8	Full	Coarse	Phos & Oil	822792
5/8-11x1 3/4	GR 8	Full	Coarse	Phos & Oil	487137
5/8-11x1 3/4	GR 8	Full	Coarse	Zinc Clear	821251T
5/8-11x1 3/4	GR 8	Full	Coarse	Zinc Yellow	821257

Grade 8

SIZE	GRADE	THREAD	PITCH	FINISH	PART #
5/8-11x2	GR 8	Partial	Coarse	Plain	821294
5/8-11x2	GR 8	Full	Coarse	Plain	821259
5/8-11x2	GR 8	Partial	Coarse	Phos & Oil	821564
5/8-11x2	GR 8	Full	Coarse	Phos & Oil	821285
5/8-11x2	GR 8	Full	Coarse	Phos & Oil	487138
5/8-11x2	GR 8	Full	Coarse	Zinc Clear	821260T
5/8-11x2	GR 8	Full	Coarse	Zinc Yellow	821295
5/8-11x2 1/4	GR 8	Partial	Coarse	Plain	821562
5/8-11x2 1/4	GR 8	Full	Coarse	Plain	821262
5/8-11x2 1/4	GR 8	Partial	Coarse	Phos & Oil	821566
5/8-11x2 1/4	GR 8	Full	Coarse	Phos & Oil	822789
5/8-11x2 1/4	GR 8	Full	Coarse	Phos & Oil	487139
5/8-11x2 1/4	GR 8	Partial	Coarse	Zinc Clear	821561T
5/8-11x2 1/4	GR 8	Full	Coarse	Zinc Clear	821261T
5/8-11x2 1/4	GR 8	Partial	Coarse	Zinc Yellow	821563
5/8-11x2 1/4	GR 8	Full	Coarse	Zinc Yellow	821263
5/8-11x2 1/2	GR 8	Partial	Coarse	Plain	821318
5/8-11x2 1/2	GR 8	Full	Coarse	Plain	821265
5/8-11x2 1/2	GR 8	Partial	Coarse	Phos & Oil	821316
5/8-11x2 1/2	GR 8	Full	Coarse	Phos & Oil	821246
5/8-11x2 1/2	GR 8	Full	Coarse	Phos & Oil	487140
5/8-11x2 1/2	GR 8	Partial	Coarse	Zinc Clear	821317T
5/8-11x2 1/2	GR 8	Full	Coarse	Zinc Clear	821264T
5/8-11x2 1/2	GR 8	Partial	Coarse	Zinc Yellow	821303
5/8-11x2 1/2	GR 8	Full	Coarse	Zinc Yellow	821272
5/8-11x2 3/4	GR 8	Partial	Coarse	Plain	821268
5/8-11x2 3/4	GR 8	Partial	Coarse	Phos & Oil	822790
5/8-11x2 3/4	GR 8	Partial	Coarse	Phos & Oil	487141
5/8-11x2 3/4	GR 8	Partial	Coarse	Zinc Clear	821267T
5/8-11x2 3/4	GR 8	Partial	Coarse	Zinc Yellow	822791
5/8-11x3	GR 8	Partial	Coarse	Plain	821271
5/8-11x3	GR 8	Partial	Coarse	Phos & Oil	822793
5/8-11x3	GR 8	Partial	Coarse	Phos & Oil	487142
5/8-11x3	GR 8	Partial	Coarse	Zinc Clear	821270T
5/8-11x3	GR 8	Partial	Coarse	Zinc Yellow	821273
5/8-11x3 1/4	GR 8	Partial	Coarse	Phos & Oil	821275
5/8-11x3 1/4	GR 8	Partial	Coarse	Zinc Yellow	822795
5/8-11x3 1/2	GR 8	Partial	Coarse	Plain	821274
5/8-11x3 1/2	GR 8	Partial	Coarse	Phos & Oil	821276
5/8-11x3 1/2	GR 8	Partial	Coarse	Phos & Oil	487143
5/8-11x3 1/2	GR 8	Partial	Coarse	Zinc Clear	821247T

Hex Flange Screws - Inch

Grade 8

SIZE	GRADE	THREAD	PITCH	FINISH	PART #
5/8-11x3 1/2	GR 8	Partial	Coarse	Zinc Yellow	821296
5/8-11x3 3/4	GR 8	Partial	Coarse	Phos & Oil	821266
5/8-11x3 3/4	GR 8	Partial	Coarse	Zinc Yellow	821269
5/8-11x4	GR 8	Partial	Coarse	Plain	821277
5/8-11x4	GR 8	Partial	Coarse	Phos & Oil	822794
5/8-11x4	GR 8	Partial	Coarse	Phos & Oil	487144
5/8-11x4	GR 8	Partial	Coarse	Zinc Clear	821248T
5/8-11x4	GR 8	Partial	Coarse	Zinc Yellow	821254
5/8-11x4 1/4	GR 8	Partial	Coarse	Plain	821298
5/8-11x4 1/4	GR 8	Partial	Coarse	Phos & Oil	821299
5/8-11x4 1/4	GR 8	Partial	Coarse	Zinc Yellow	821297
5/8-11x4 1/2	GR 8	Partial	Coarse	Plain	821280
5/8-11x4 1/2	GR 8	Partial	Coarse	Phos & Oil	822811
5/8-11x4 1/2	GR 8	Partial	Coarse	Phos & Oil	487145
5/8-11x4 1/2	GR 8	Partial	Coarse	Zinc Clear	821279T
5/8-11x4 1/2	GR 8	Partial	Coarse	Zinc Yellow	821281
5/8-11x5	GR 8	Partial	Coarse	Plain	821283
5/8-11x5	GR 8	Partial	Coarse	Phos & Oil	821288
5/8-11x5	GR 8	Partial	Coarse	Phos & Oil	487146
5/8-11x5	GR 8	Partial	Coarse	Zinc Clear	821282T
5/8-11x5	GR 8	Partial	Coarse	Zinc Yellow	821284
5/8-11x5 1/2	GR 8	Partial	Coarse	Plain	821286
5/8-11x5 1/2	GR 8	Partial	Coarse	Phos & Oil	821287
5/8-11x5 1/2	GR 8	Partial	Coarse	Zinc Clear	821286T
5/8-11x5 1/2	GR 8	Partial	Coarse	Zinc Yellow	822796
5/8-11x6	GR 8	Partial	Coarse	Plain	821290
5/8-11x6	GR 8	Partial	Coarse	Phos & Oil	821291
5/8-11x6	GR 8	Partial	Coarse	Phos & Oil	487147
5/8-11x6	GR 8	Partial	Coarse	Zinc Yellow	821289
5/8-11x7 1/2	GR 8	Partial	Coarse	Zinc Yellow	821292
5/8x10	GR 8	Blank	Blank	Plain	822860

5/8-18x1 1/2	GR 8	Full	Fine	Plain	822220
5/8-18x1 1/2	GR 8	Full	Fine	Phos & Oil	822217
5/8-18x1 1/2	GR 8	Full	Fine	Phos & Oil	487148
5/8-18x1 1/2	GR 8	Full	Fine	Zinc Clear	822219T
5/8-18x1 1/2	GR 8	Full	Fine	Zinc Yellow	822897
5/8-18x1 3/4	GR 8	Full	Fine	Plain	822225
5/8-18x1 3/4	GR 8	Full	Fine	Phos & Oil	822226
5/8-18x1 3/4	GR 8	Full	Fine	Zinc Clear	822224T
5/8-18x1 3/4	GR 8	Full	Fine	Zinc Yellow	822223

Grade 8

SIZE	GRADE	THREAD	PITCH	FINISH	PART #
5/8-18x2	GR 8	Full	Fine	Plain	822230
5/8-18x2	GR 8	Full	Fine	Phos & Oil	821088
5/8-18x2	GR 8	Full	Fine	Phos & Oil	487149
5/8-18x2	GR 8	Full	Fine	Zinc Clear	822229T
5/8-18x2	GR 8	Full	Fine	Zinc Yellow	822231
5/8-18x2 1/4	GR 8	Partial	Fine	Plain	821535
5/8-18x2 1/4	GR 8	Full	Fine	Plain	822235
5/8-18x2 1/4	GR 8	Partial	Fine	Phos & Oil	821533
5/8-18x2 1/4	GR 8	Full	Fine	Phos & Oil	822233
5/8-18x2 1/4	GR 8	Partial	Fine	Zinc Clear	821534T
5/8-18x2 1/4	GR 8	Full	Fine	Zinc Clear	822234T
5/8-18x2 1/4	GR 8	Full	Fine	Zinc Yellow	822898
5/8-18x2 1/2	GR 8	Partial	Fine	Plain	821540
5/8-18x2 1/2	GR 8	Full	Fine	Plain	822240
5/8-18x2 1/2	GR 8	Partial	Fine	Phos & Oil	821537
5/8-18x2 1/2	GR 8	Full	Fine	Phos & Oil	821089
5/8-18x2 1/2	GR 8	Full	Fine	Phos & Oil	487150
5/8-18x2 1/2	GR 8	Partial	Fine	Zinc Clear	821539T
5/8-18x2 1/2	GR 8	Full	Fine	Zinc Clear	822239T
5/8-18x2 1/2	GR 8	Partial	Fine	Zinc Yellow	821538
5/8-18x2 1/2	GR 8	Full	Fine	Zinc Yellow	822238
5/8-18x2 3/4	GR 8	Partial	Fine	Plain	822242
5/8-18x2 3/4	GR 8	Partial	Fine	Phos & Oil	822241
5/8-18x2 3/4	GR 8	Partial	Fine	Zinc Clear	822280T
5/8-18x2 3/4	GR 8	Partial	Fine	Zinc Yellow	822243
5/8-18x3	GR 8	Partial	Fine	Plain	822245
5/8-18x3	GR 8	Partial	Fine	Phos & Oil	822861
5/8-18x3	GR 8	Partial	Fine	Phos & Oil	487151
5/8-18x3	GR 8	Partial	Fine	Zinc Clear	822244T
5/8-18x3	GR 8	Partial	Fine	Zinc Yellow	822247
5/8-18x3 1/4	GR 8	Partial	Fine	Plain	822248
5/8-18x3 1/4	GR 8	Partial	Fine	Zinc Yellow	822246
5/8-18x3 1/2	GR 8	Partial	Fine	Plain	822250
5/8-18x3 1/2	GR 8	Partial	Fine	Phos & Oil	822251
5/8-18x3 1/2	GR 8	Partial	Fine	Zinc Clear	822249T
5/8-18x3 1/2	GR 8	Partial	Fine	Zinc Yellow	822253
5/8-18x3 3/4	GR 8	Partial	Fine	Plain	822252
5/8-18x4	GR 8	Partial	Fine	Plain	822255
5/8-18x4	GR 8	Partial	Fine	Phos & Oil	822862
5/8-18x4	GR 8	Partial	Fine	Phos & Oil	487152
5/8-18x4	GR 8	Partial	Fine	Zinc Clear	822254T

Hex Flange Screws - Inch

Grade 8

SIZE	GRADE	THREAD	PITCH	FINISH	PART #
5/8-18x4 1/2	GR 8	Partial	Fine	Plain	822260
5/8-18x4 1/2	GR 8	Partial	Fine	Zinc Clear	822259T
5/8-18x5	GR 8	Partial	Fine	Plain	822265
5/8-18x5	GR 8	Partial	Fine	Zinc Clear	822264T
5/8-18x5	GR 8	Partial	Fine	Zinc Yellow	822266
5/8-18x5 1/2	GR 8	Partial	Fine	Plain	822267

3/4-10x1 1/4	GR 8	Full	Coarse	Zinc Yellow	822309
3/4-10x1 1/2	GR 8	Full	Coarse	Plain	822310
3/4-10x1 1/2	GR 8	Full	Coarse	Phos & Oil	822311
3/4-10x1 1/2	GR 8	Full	Coarse	Phos & Oil	487153
3/4-10x1 1/2	GR 8	Full	Coarse	Zinc Yellow	822316
3/4-10x1 3/4	GR 8	Full	Coarse	Plain	822315
3/4-10x1 3/4	GR 8	Full	Coarse	Phos & Oil	822863
3/4-10x1 3/4	GR 8	Full	Coarse	Phos & Oil	487154
3/4-10x1 3/4	GR 8	Full	Coarse	Zinc Clear	822313T
3/4-10x1 3/4	GR 8	Full	Coarse	Zinc Yellow	822314
3/4-10x2	GR 8	Full	Coarse	Plain	822320
3/4-10x2	GR 8	Full	Coarse	Phos & Oil	821092
3/4-10x2	GR 8	Full	Coarse	Phos & Oil	487155
3/4-10x2	GR 8	Full	Coarse	Zinc Clear	822319T
3/4-10x2	GR 8	Full	Coarse	Zinc Yellow	822895
3/4-10x2 1/4	GR 8	Full	Coarse	Plain	822325
3/4-10x2 1/4	GR 8	Full	Coarse	Phos & Oil	822323
3/4-10x2 1/4	GR 8	Full	Coarse	Zinc Yellow	822326
3/4-10x2 1/2	GR 8	Full	Coarse	Plain	822330
3/4-10x2 1/2	GR 8	Full	Coarse	Phos & Oil	821093
3/4-10x2 1/2	GR 8	Full	Coarse	Phos & Oil	487156
3/4-10x2 1/2	GR 8	Full	Coarse	Zinc Clear	822329T
3/4-10x2 1/2	GR 8	Full	Coarse	Zinc Yellow	822332
3/4-10x2 3/4	GR 8	Partial	Coarse	Plain	821585
3/4-10x2 3/4	GR 8	Full	Coarse	Plain	822335
3/4-10x2 3/4	GR 8	Full	Coarse	Phos & Oil	822333
3/4-10x2 3/4	GR 8	Partial	Coarse	Zinc Clear	821584T
3/4-10x2 3/4	GR 8	Full	Coarse	Zinc Clear	822334T
3/4-10x2 3/4	GR 8	Full	Coarse	Zinc Yellow	822336
3/4-10x3	GR 8	Partial	Coarse	Plain	822340
3/4-10x3	GR 8	Partial	Coarse	Phos & Oil	822338
3/4-10x3	GR 8	Partial	Coarse	Phos & Oil	487157
3/4-10x3	GR 8	Partial	Coarse	Zinc Clear	822339T
3/4-10x3	GR 8	Partial	Coarse	Zinc Yellow	822803

Grade 8

SIZE	GRADE	THREAD	PITCH	FINISH	PART #
3/4-10x3 1/4	GR 8	Partial	Coarse	Plain	822345
3/4-10x3 1/4	GR 8	Partial	Coarse	Phos & Oil	822342
3/4-10x3 1/4	GR 8	Partial	Coarse	Zinc Yellow	822347
3/4-10x3 1/2	GR 8	Partial	Coarse	Plain	822350
3/4-10x3 1/2	GR 8	Partial	Coarse	Phos & Oil	822348
3/4-10x3 1/2	GR 8	Partial	Coarse	Phos & Oil	487158
3/4-10x3 1/2	GR 8	Partial	Coarse	Zinc Clear	822349T
3/4-10x3 1/2	GR 8	Partial	Coarse	Zinc Yellow	822351
3/4-10x4	GR 8	Partial	Coarse	Plain	822360
3/4-10x4	GR 8	Partial	Coarse	Phos & Oil	822864
3/4-10x4	GR 8	Partial	Coarse	Phos & Oil	487159
3/4-10x4	GR 8	Partial	Coarse	Zinc Clear	822359T
3/4-10x4	GR 8	Partial	Coarse	Zinc Yellow	822372
3/4-10x4 1/2	GR 8	Partial	Coarse	Plain	822365
3/4-10x4 1/2	GR 8	Partial	Coarse	Phos & Oil	822362
3/4-10x4 1/2	GR 8	Partial	Coarse	Zinc Clear	822364T
3/4-10x4 1/2	GR 8	Partial	Coarse	Zinc Yellow	822363
3/4-10x5	GR 8	Partial	Coarse	Plain	822370
3/4-10x5	GR 8	Partial	Coarse	Phos & Oil	822368
3/4-10x5	GR 8	Partial	Coarse	Phos & Oil	487160
3/4-10x5	GR 8	Partial	Coarse	Zinc Clear	822369T
3/4-10x5	GR 8	Partial	Coarse	Zinc Yellow	822901
3/4-10x5 1/2	GR 8	Partial	Coarse	Plain	822375
3/4-10x6	GR 8	Partial	Coarse	Phos & Oil	822381
3/4-10x6	GR 8	Partial	Coarse	Zinc Yellow	822902
3/4-10x6 1/2	GR 8	Partial	Coarse	Phos & Oil	822387
3/4-10x8	GR 8	Partial	Coarse	Zinc Clear	822395T

3/4-16x1 3/4	GR 8	Full	Fine	Plain	822415
3/4-16x1 3/4	GR 8	Full	Fine	Phos & Oil	822412
3/4-16x1 3/4	GR 8	Full	Fine	Phos & Oil	487161
3/4-16x1 3/4	GR 8	Full	Fine	Zinc Clear	822416T
3/4-16x2	GR 8	Full	Fine	Plain	822420
3/4-16x2	GR 8	Full	Fine	Phos & Oil	822419
3/4-16x2	GR 8	Full	Fine	Phos & Oil	487162
3/4-16x2	GR 8	Full	Fine	Zinc Clear	822421T
3/4-16x2	GR 8	Full	Fine	Zinc Yellow	822422
3/4-16x2 1/4	GR 8	Full	Fine	Plain	822425
3/4-16x2 1/4	GR 8	Full	Fine	Phos & Oil	822424
3/4-16x2 1/4	GR 8	Full	Fine	Phos & Oil	487163
3/4-16x2 1/2	GR 8	Full	Fine	Plain	822430

Hex Flange Screws - Inch

Grade 8

SIZE	GRADE	THREAD	PITCH	FINISH	PART #
3/4-16x2 1/2	GR 8	Full	Fine	Phos & Oil	822429
3/4-16x2 1/2	GR 8	Full	Fine	Phos & Oil	487164
3/4-16x2 1/2	GR 8	Full	Fine	Zinc Clear	823787T
3/4-16x2 1/2	GR 8	Full	Fine	Zinc Yellow	822431
3/4-16x3	GR 8	Partial	Fine	Plain	822440
3/4-16x3	GR 8	Partial	Fine	Phos & Oil	822442
3/4-16x2 3/4	GR 8	Partial	Fine	Phos & Oil	822443
3/4-16x2 3/4	GR 8	Full	Fine	Phos & Oil	822434
3/4-16x3	GR 8	Partial	Fine	Phos & Oil	487165
3/4-16x3	GR 8	Partial	Fine	Zinc Clear	822439T
3/4-16x3	GR 8	Partial	Fine	Zinc Yellow	822899
3/4-16x3 1/4	GR 8	Partial	Fine	Plain	822445
3/4-16x3 1/2	GR 8	Partial	Fine	Plain	822450
3/4-16x3 1/2	GR 8	Partial	Fine	Phos & Oil	822452
3/4-16x3 1/2	GR 8	Partial	Fine	Phos & Oil	487166
3/4-16x3 1/2	GR 8	Partial	Fine	Zinc Yellow	822449
3/4-16x4	GR 8	Partial	Fine	Plain	822460
3/4-16x4	GR 8	Partial	Fine	Phos & Oil	822462
3/4-16x4	GR 8	Partial	Fine	Phos & Oil	487167
3/4-16x4	GR 8	Partial	Fine	Zinc Clear	822459T
3/4-16x4 1/4	GR 8	Partial	Fine	Phos & Oil	822464
3/4-16x5	GR 8	Partial	Fine	Plain	822470
3/4-16x5	GR 8	Partial	Fine	Zinc Clear	822469T
3/4-16x6	GR 8	Partial	Fine	Plain	822480

7/8x10	GR 8	Blank	Blank	Plain	822485
--------	------	-------	-------	-------	--------

Hex Flange Screws - Inch

Grade 5

SIZE	GRADE	THREAD	PITCH	FINISH	PART #
#10-32x3/8	GR 5	Full	Coarse	Zinc Clear	821102
#10-32x1/2	GR 5	Full	Coarse	Zinc Clear	821104
#10-32x5/8	GR 5	Full	Coarse	Zinc Clear	821106
#10-32x3/4	GR 5	Full	Coarse	Zinc Clear	821108
#10-32x1	GR 5	Full	Coarse	Zinc Clear	821100

1/4-20x3/8	GR 5	Full	Coarse	Zinc Clear	821110
1/4-20x1/2	GR 5	Full	Coarse	Zinc Clear	821112
1/4-20x1/2	GR 5	Full	Coarse	Zinc Yellow	821187
1/4-20x5/8	GR 5	Full	Coarse	Zinc Clear	821114
1/4-20x5/8	GR 5	Full	Coarse	Zinc Yellow	821115
1/4-20x3/4	GR 5	Full	Coarse	Zinc Clear	821116
1/4-20x3/4	GR 5	Full	Coarse	Zinc Yellow	821117
1/4-20x7/8	GR 5	Full	Coarse	Zinc Clear	821118
1/4-20x1	GR 5	Full	Coarse	Zinc Clear	821120
1/4-20x1	GR 5	Full	Coarse	Zinc Yellow	821121
1/4-20x1 1/4	GR 5	Full	Coarse	Zinc Clear	821122
1/4-20x1 1/4	GR 5	Full	Coarse	Zinc Yellow	821123
1/4-20x1 1/2	GR 5	Partial	Coarse	Zinc Clear	821124
1/4-20x1 1/2	GR 5	Partial	Coarse	Zinc Yellow	821125
1/4-20x1 3/4	GR 5	Partial	Coarse	Zinc Clear	822521T
1/4-20x2	GR 5	Partial	Coarse	Zinc Clear	821126
1/4-20x2	GR 5	Partial	Coarse	Zinc Yellow	825214
1/4-20x2 1/2	GR 5	Partial	Coarse	Zinc Yellow	821129
1/4-20x2 3/4	GR 5	Full	Coarse	Zinc Yellow	824990

5/16-18x1/2	GR 5	Full	Coarse	Plain	822992
5/16-18x1/2	GR 5	Full	Coarse	Zinc Clear	821128T
5/16-18x1/2	GR 5	Full	Coarse	Zinc Yellow	821131
5/16-18x5/8	GR 5	Full	Coarse	Phos & Oil	821197
5/16-18x5/8	GR 5	Full	Coarse	Zinc Clear	821194T
5/16-18x5/8	GR 5	Full	Coarse	Zinc Yellow	821198
5/16-18x3/4	GR 5	Full	Coarse	Plain	821203
5/16-18x3/4	GR 5	Full	Coarse	Zinc Clear	821193T
5/16-18x3/4	GR 5	Full	Coarse	Zinc Yellow	821199
5/16-18x7/8	GR 5	Full	Coarse	Zinc Clear	821130T
5/16-18x1	GR 5	Full	Coarse	Zinc Clear	821132T
5/16-18x1	GR 5	Full	Coarse	Zinc Yellow	822558
5/16-18x1 1/4	GR 5	Full	Coarse	Zinc Clear	821134T
5/16-18x1 1/4	GR 5	Full	Coarse	Zinc Yellow	821135
5/16-18x1 1/2	GR 5	Partial	Coarse	Zinc Clear	821136T

Grade 5

SIZE	GRADE	THREAD	PITCH	FINISH	PART #
5/16-18x1 1/2	GR 5	Partial	Coarse	Zinc Yellow	821137
5/16-18x1 3/4	GR 5	Partial	Coarse	Zinc Clear	821138T
5/16-18x1 3/4	GR 5	Partial	Coarse	Zinc Yellow	821138
5/16-18x2	GR 5	Partial	Coarse	Zinc Clear	821140T

3/8-16x1/2	GR 5	Full	Coarse	Zinc Clear	821142T
3/8-16x1/2	GR 5	Full	Coarse	Zinc Yellow	821143
3/8-16x5/8	GR 5	Full	Coarse	Zinc Clear	821144T
3/8-16x5/8	GR 5	Full	Coarse	Zinc Yellow	821145
3/8-16x3/4	GR 5	Full	Coarse	Plain	821695
3/8-16x3/4	GR 5	Full	Coarse	Zinc Clear	821146T
3/8-16x3/4	GR 5	Full	Coarse	Zinc Yellow	821147
3/8-16x7/8	GR 5	Full	Coarse	Zinc Clear	821148T
3/8-16x1	GR 5	Full	Coarse	Plain	821173
3/8-16x1	GR 5	Full	Coarse	Zinc Clear	821150T
3/8-16x1	GR 5	Full	Coarse	Zinc Yellow	821151
3/8-16x1 1/4	GR 5	Full	Coarse	Zinc Clear	821152T
3/8-16x1 1/4	GR 5	Full	Coarse	Zinc Yellow	821159
3/8-16x1 1/2	GR 5	Partial	Coarse	Zinc Yellow	821161
3/8-16x1 1/2	GR 5	Full	Coarse	Zinc Yellow	821155
3/8-16x1 1/2	GR 5	Full	Coarse	Zinc Clear	821154T
3/8-16x1 3/4	GR 5	Partial	Coarse	Zinc Clear	821156T
3/8-16x2	GR 5	Partial	Coarse	Zinc Clear	821158T
3/8-16x2 1/2	GR 5	Partial	Coarse	Zinc Clear	821160T
3/8-16x4 1/2	GR 5	Partial	Coarse	Zinc Clear	821625T

7/16-14x1	GR 5	Full	Coarse	Zinc Clear	821162
7/16-14x4 1/2	GR 5	Partial	Coarse	Plain	822681

Hex Flange Screws - Inch

Grade 5

SIZE	GRADE	THREAD	PITCH	FINISH	PART #
1/2-13x3/4	GR 5	Full	Coarse	Zinc Clear	821178T
1/2-13x1	GR 5	Full	Coarse	Zinc Clear	821164T
1/2-13x1	GR 5	Full	Coarse	Zinc Yellow	821163
1/2-13x1 1/4	GR 5	Full	Coarse	Zinc Clear	821166T
1/2-13x1 1/4	GR 5	Full	Coarse	Zinc Yellow	821167
1/2-13x1 1/2	GR 5	Full	Coarse	Zinc Clear	821168T
1/2-13x1 1/2	GR 5	Full	Coarse	Zinc Yellow	821169
1/2-13x1 3/4	GR 5	Full	Coarse	Zinc Clear	821170T
1/2-13x1 3/4	GR 5	Full	Coarse	Zinc Yellow	827711
1/2-13x2	GR 5	Partial	Coarse	Zinc Clear	821172T
1/2-13x2 1/4	GR 5	Partial	Coarse	Zinc Clear	821174T
1/2-13x2 1/2	GR 5	Partial	Coarse	Zinc Clear	821176T
1/2-13x2 1/2	GR 5	Partial	Coarse	Zinc Yellow	821177
3/4-10x1 1/2	GR 5	Full	Coarse	Zinc Clear	822306

Hex Flange Screws - Metric

Class 10.9

SIZE	GRADE	THREAD	PITCH	FINISH	PART #
M5-0.8x8	ISO 10.9	Full	Coarse	Phos & Oil	426990
M5-0.8x10	ISO 10.9	Full	Coarse	Phos & Oil	426991
M5-0.8x12	ISO 10.9	Full	Coarse	Phos & Oil	426992
M5-0.8x12	ISO 10.9	Full	Coarse	Zinc Clear	426999
M5-0.8x14	ISO 10.9	Full	Coarse	Phos & Oil	426993
M5-0.8x16	ISO 10.9	Full	Coarse	Phos & Oil	426994
M5-0.8x20	ISO 10.9	Full	Coarse	Phos & Oil	426995
M5-0.8x25	ISO 10.9	Partial	Coarse	Phos & Oil	426996

M6-1.0x8	ISO 10.9	Full	Coarse	Phos & Oil	427007
M6-1.0x10	ISO 10.9	Full	Coarse	Phos & Oil	427010
M6-1.0x10	ISO 10.9	Full	Coarse	Zinc Yellow	427011
M6-1.0x12	ISO 10.9	Full	Coarse	Plain	427018
M6-1.0x12	ISO 10.9	Full	Coarse	Phos & Oil	427013
M6-1.0x12	ISO 10.9	Full	Coarse	Zinc Yellow	427022
M6-1.0x14	ISO 10.9	Full	Coarse	Phos & Oil	427037
M6-1.0x16	ISO 10.9	Full	Coarse	Plain	427048
M6-1.0x16	ISO 10.9	Full	Coarse	Phos & Oil	427047
M6-1.0x16	ISO 10.9	Full	Coarse	Zinc Clear	427028
M6-1.0x16	ISO 10.9	Full	Coarse	Zinc Yellow	427049
M6-1.0x18	ISO 10.9	Full	Coarse	Phos & Oil	427045
M6-1.0x20	ISO 10.9	Full	Coarse	Plain	427068
M6-1.0x20	ISO 10.9	Full	Coarse	Phos & Oil	427067
M6-1.0x20	ISO 10.9	Full	Coarse	Zinc Clear	428000T
M6-1.0x20	ISO 10.9	Full	Coarse	Zinc Yellow	427066
M6-1.0x22	ISO 10.9	Full	Coarse	Phos & Oil	427069
M6-1.0x25	ISO 10.9	Partial	Coarse	Plain	427078
M6-1.0x25	ISO 10.9	Partial	Coarse	Phos & Oil	427030
M6-1.0x25	ISO 10.9	Partial	Coarse	Zinc Yellow	427077
M6-1.0x30	ISO 10.9	Partial	Coarse	Plain	427088
M6-1.0x30	ISO 10.9	Partial	Coarse	Phos & Oil	427087
M6-1.0x30	ISO 10.9	Partial	Coarse	Zinc Yellow	427090
M6-1.0x35	ISO 10.9	Partial	Coarse	Plain	427098
M6-1.0x35	ISO 10.9	Partial	Coarse	Phos & Oil	427097
M6-1.0x35	ISO 10.9	Partial	Coarse	Zinc Yellow	427096
M6-1.0x40	ISO 10.9	Partial	Coarse	Plain	427108
M6-1.0x40	ISO 10.9	Partial	Coarse	Phos & Oil	427106
M6-1.0x40	ISO 10.9	Partial	Coarse	Zinc Clear	427102
M6-1.0x40	ISO 10.9	Partial	Coarse	Zinc Yellow	427107
M6-1.0x45	ISO 10.9	Partial	Coarse	Phos & Oil	427117
M6-1.0x45	ISO 10.9	Partial	Coarse	Zinc Clear	427109

Class 10.9

SIZE	GRADE	THREAD	PITCH	FINISH	PART #
M6-1.0x45	ISO 10.9	Partial	Coarse	Zinc Yellow	427116
M6-1.0x50	ISO 10.9	Partial	Coarse	Phos & Oil	427123
M6-1.0x50	ISO 10.9	Partial	Coarse	Zinc Yellow	427122
M6-1.0x60	ISO 10.9	Partial	Coarse	Plain	427148
M6-1.0x60	ISO 10.9	Partial	Coarse	Phos & Oil	427147
M6-1.0x60	ISO 10.9	Partial	Coarse	Zinc Yellow	427146

M8-1.25x10	ISO 10.9	Full	Coarse	Phos & Oil	427217
------------	----------	------	--------	------------	--------

M8-1.25x12	ISO 10.9	Full	Coarse	Phos & Oil	427221
M8-1.25x12	ISO 10.9	Full	Coarse	Zinc Clear	427202T
M8-1.25x12	ISO 10.9	Full	Coarse	Zinc Yellow	427220
M8-1.25x14	ISO 10.9	Full	Coarse	Phos & Oil	427223
M8-1.25x16	ISO 10.9	Full	Coarse	Phos & Oil	427225
M8-1.25x16	ISO 10.9	Full	Coarse	Zinc Yellow	427224
M8-1.25x18	ISO 10.9	Full	Coarse	Phos & Oil	427227
M8-1.25x20	ISO 10.9	Full	Coarse	Plain	427268
M8-1.25x20	ISO 10.9	Full	Coarse	Phos & Oil	427267
M8-1.25x20	ISO 10.9	Full	Coarse	Zinc Clear	427052T
M8-1.25x20	ISO 10.9	Full	Coarse	Zinc Yellow	427263
M8-1.25x22	ISO 10.9	Full	Coarse	Phos & Oil	427261
M8-1.25x25	ISO 10.9	Full	Coarse	Plain	427278
M8-1.25x25	ISO 10.9	Full	Coarse	Phos & Oil	427280
M8-1.25x25	ISO 10.9	Full	Coarse	Zinc Yellow	427260
M8-1.25x30	ISO 10.9	Full	Coarse	Plain	427288
M8-1.25x30	ISO 10.9	Full	Coarse	Phos & Oil	427289
M8-1.25x30	ISO 10.9	Full	Coarse	Zinc Yellow	427287
M8-1.25x35	ISO 10.9	Partial	Coarse	Plain	427298
M8-1.25x35	ISO 10.9	Partial	Coarse	Phos & Oil	427293
M8-1.25x35	ISO 10.9	Partial	Coarse	Zinc Yellow	428319
M8-1.25x40	ISO 10.9	Partial	Coarse	Plain	427308
M8-1.25x40	ISO 10.9	Partial	Coarse	Phos & Oil	427351
M8-1.25x40	ISO 10.9	Partial	Coarse	Zinc Clear	427302T
M8-1.25x40	ISO 10.9	Partial	Coarse	Zinc Yellow	427290
M8-1.25x45	ISO 10.9	Partial	Coarse	Plain	427318
M8-1.25x45	ISO 10.9	Partial	Coarse	Phos & Oil	427320
M8-1.25x45	ISO 10.9	Partial	Coarse	Zinc Yellow	427319
M8-1.25x50	ISO 10.9	Partial	Coarse	Plain	427328
M8-1.25x50	ISO 10.9	Partial	Coarse	Phos & Oil	427353
M8-1.25x50	ISO 10.9	Partial	Coarse	Zinc Clear	427355
M8-1.25x50	ISO 10.9	Partial	Coarse	Zinc Yellow	427329

Hex Flange Screws - Metric

Class 10.9

SIZE	GRADE	THREAD	PITCH	FINISH	PART #
M8-1.25x60	ISO 10.9	Partial	Coarse	Plain	427348
M8-1.25x60	ISO 10.9	Partial	Coarse	Phos & Oil	427350
M8-1.25x60	ISO 10.9	Partial	Coarse	Zinc Clear	427352
M8-1.25x60	ISO 10.9	Partial	Coarse	Zinc Yellow	427349
M8-1.25x65	ISO 10.9	Partial	Coarse	Plain	427358
M8-1.25x70	ISO 10.9	Partial	Coarse	Plain	427368
M8-1.25x70	ISO 10.9	Partial	Coarse	Phos & Oil	427366
M8-1.25x70	ISO 10.9	Partial	Coarse	Zinc Yellow	427367
M8-1.25x80	ISO 10.9	Partial	Coarse	Plain	427388
M8-1.25x80	ISO 10.9	Partial	Coarse	Phos & Oil	427387
M8-1.25x80	ISO 10.9	Partial	Coarse	Zinc Clear	427389
M8-1.25x80	ISO 10.9	Partial	Coarse	Zinc Yellow	427386
M8-1.25x100	ISO 10.9	Partial	Coarse	Plain	427390
M8-1.25x110	ISO 10.9	Partial	Coarse	Plain	427392
M8-1.25x110	ISO 10.9	Partial	Coarse	Zinc Yellow	427393

M10-1.5x12	ISO 10.9	Full	Coarse	Phos & Oil	427417
M10-1.5x16	ISO 10.9	Full	Coarse	Phos & Oil	427447
M10-1.5x16	ISO 10.9	Full	Coarse	Zinc Yellow	427446
M10-1.5x18	ISO 10.9	Full	Coarse	Phos & Oil	427449
M10-1.5x20	ISO 10.9	Full	Coarse	Plain	427468
M10-1.5x20	ISO 10.9	Full	Coarse	Phos & Oil	427465
M10-1.5x20	ISO 10.9	Full	Coarse	Zinc Clear	427121
M10-1.5x20	ISO 10.9	Full	Coarse	Zinc Yellow	427463
M10-1.5x22	ISO 10.9	Full	Coarse	Phos & Oil	427460
M10-1.5x25	ISO 10.9	Full	Coarse	Plain	427478
M10-1.5x25	ISO 10.9	Full	Coarse	Phos & Oil	427477
M10-1.5x25	ISO 10.9	Full	Coarse	Zinc Yellow	427459
M10-1.5x30	ISO 10.9	Full	Coarse	Plain	427488
M10-1.5x30	ISO 10.9	Full	Coarse	Phos & Oil	427458
M10-1.5x30	ISO 10.9	Full	Coarse	Zinc Clear	427488T
M10-1.5x30	ISO 10.9	Full	Coarse	Zinc Yellow	427490
M10-1.5x35	ISO 10.9	Full	Coarse	Plain	427498
M10-1.5x35	ISO 10.9	Full	Coarse	Phos & Oil	427551
M10-1.5x35	ISO 10.9	Full	Coarse	Zinc Yellow	427499
M10-1.5x40	ISO 10.9	Partial	Coarse	Plain	427508
M10-1.5x40	ISO 10.9	Partial	Coarse	Phos & Oil	427530
M10-1.5x40	ISO 10.9	Partial	Coarse	Zinc Yellow	427450
M10-1.5x45	ISO 10.9	Partial	Coarse	Plain	427518
M10-1.5x45	ISO 10.9	Partial	Coarse	Phos & Oil	427525
M10-1.5x45	ISO 10.9	Partial	Coarse	Zinc Yellow	427452

Class 10.9

SIZE	GRADE	THREAD	PITCH	FINISH	PART #
M10-1.5x50	ISO 10.9	Partial	Coarse	Plain	427528
M10-1.5x50	ISO 10.9	Full	Coarse	Plain	427540
M10-1.5x50	ISO 10.9	Partial	Coarse	Phos & Oil	427526
M10-1.5x50	ISO 10.9	Partial	Coarse	Zinc Clear	427527T
M10-1.5x50	ISO 10.9	Full	Coarse	Zinc Clear	427421
M10-1.5x50	ISO 10.9	Full	Coarse	Zinc Yellow	427454
M10-1.5x55	ISO 10.9	Partial	Coarse	Plain	427538
M10-1.5x55	ISO 10.9	Partial	Coarse	Phos & Oil	427534
M10-1.5x60	ISO 10.9	Partial	Coarse	Plain	427548
M10-1.5x60	ISO 10.9	Partial	Coarse	Phos & Oil	427547
M10-1.5x60	ISO 10.9	Partial	Coarse	Zinc Yellow	427543
M10-1.5x65	ISO 10.9	Partial	Coarse	Phos & Oil	427559
M10-1.5x70	ISO 10.9	Partial	Coarse	Plain	427568
M10-1.5x70	ISO 10.9	Partial	Coarse	Phos & Oil	427563
M10-1.5x70	ISO 10.9	Full	Coarse	Zinc Clear	427423
M10-1.5x70	ISO 10.9	Full	Coarse	Zinc Yellow	427566
M10-1.5x75	ISO 10.9	Partial	Coarse	Phos & Oil	427571
M10-1.5x80	ISO 10.9	Partial	Coarse	Plain	427588
M10-1.5x80	ISO 10.9	Full	Coarse	Phos & Oil	427586
M10-1.5x90	ISO 10.9	Partial	Coarse	Plain	427592
M10-1.5x90	ISO 10.9	Partial	Coarse	Zinc Yellow	427593
M10-1.5x100	ISO 10.9	Partial	Coarse	Plain	427598
M10-1.5x100	ISO 10.9	Partial	Coarse	Zinc Yellow	427596
M10-1.5x110	ISO 10.9	Partial	Coarse	Plain	427610
M10-1.5x110	ISO 10.9	Partial	Coarse	Phos & Oil	427611
M10-1.5x110	ISO 10.9	Partial	Coarse	Zinc Yellow	427612
M10-1.5x120	ISO 10.9	Partial	Coarse	Plain	427620
M10-1.5x120	ISO 10.9	Partial	Coarse	Phos & Oil	427619

M12-1.75x16	ISO 10.9	Full	Coarse	Phos & Oil	427661
M12-1.75x20	ISO 10.9	Full	Coarse	Phos & Oil	427665
M12-1.75x20	ISO 10.9	Full	Coarse	Zinc Yellow	427666
M12-1.75x25	ISO 10.9	Full	Coarse	Plain	427680
M12-1.75x25	ISO 10.9	Full	Coarse	Phos & Oil	427686
M12-1.75x25	ISO 10.9	Full	Coarse	Zinc Yellow	427681
M12-1.75x30	ISO 10.9	Full	Coarse	Plain	427688
M12-1.75x30	ISO 10.9	Full	Coarse	Phos & Oil	427683
M12-1.75x30	ISO 10.9	Full	Coarse	Zinc Yellow	427689
M12-1.75x35	ISO 10.9	Full	Coarse	Phos & Oil	427699
M12-1.75x35	ISO 10.9	Full	Coarse	Zinc Clear	427118
M12-1.75x35	ISO 10.9	Full	Coarse	Zinc Yellow	427698

Hex Flange Screws - Metric

Class 10.9

SIZE	GRADE	THREAD	PITCH	FINISH	PART #
M12-1.75x40	ISO 10.9	Full	Coarse	Plain	427708
M12-1.75x40	ISO 10.9	Full	Coarse	Phos & Oil	427707
M12-1.75x40	ISO 10.9	Full	Coarse	Zinc Yellow	427706
M12-1.75x45	ISO 10.9	Partial	Coarse	Plain	427718
M12-1.75x45	ISO 10.9	Partial	Coarse	Phos & Oil	427716
M12-1.75x45	ISO 10.9	Partial	Coarse	Zinc Yellow	427715
M12-1.75x50	ISO 10.9	Partial	Coarse	Plain	427728
M12-1.75x50	ISO 10.9	Partial	Coarse	Phos & Oil	427727
M12-1.75x50	ISO 10.9	Partial	Coarse	Zinc Clear	427729
M12-1.75x50	ISO 10.9	Partial	Coarse	Zinc Yellow	427726
M12-1.75x60	ISO 10.9	Partial	Coarse	Plain	427748
M12-1.75x60	ISO 10.9	Partial	Coarse	Phos & Oil	427745
M12-1.75x60	ISO 10.9	Partial	Coarse	Zinc Clear	427747T
M12-1.75x60	ISO 10.9	Partial	Coarse	Zinc Yellow	427743
M12-1.75x70	ISO 10.9	Partial	Coarse	Phos & Oil	427767
M12-1.75x70	ISO 10.9	Partial	Coarse	Zinc Yellow	427766
M12-1.75x75	ISO 10.9	Partial	Coarse	Phos & Oil	427777
M12-1.75x80	ISO 10.9	Partial	Coarse	Plain	427788
M12-1.75x80	ISO 10.9	Partial	Coarse	Phos & Oil	427787
M12-1.75x80	ISO 10.9	Partial	Coarse	Zinc Yellow	427789
M12-1.75x90	ISO 10.9	Partial	Coarse	Plain	427808
M12-1.75x90	ISO 10.9	Partial	Coarse	Phos & Oil	427807
M12-1.75x90	ISO 10.9	Partial	Coarse	Zinc Yellow	427806
M12-1.75x100	ISO 10.9	Partial	Coarse	Phos & Oil	427827
M12-1.75x100	ISO 10.9	Partial	Coarse	Zinc Yellow	427826
M12-1.75x110	ISO 10.9	Partial	Coarse	Phos & Oil	427837
M12-1.75x120	ISO 10.9	Partial	Coarse	Phos & Oil	427847
M12-1.75x130	ISO 10.9	Partial	Coarse	Plain	427853
M12-1.75x150	ISO 10.9	Partial	Coarse	Plain	427857

M14-1.50x30	ISO 10.9	Full	Coarse	Plain	427870
M14-2.0x30	ISO 10.9	Full	Coarse	Phos & Oil	427880
M14-1.50x35	ISO 10.9	Full	Coarse	Plain	427875
M14-2.0x35	ISO 10.9	Full	Coarse	Phos & Oil	427881
M14-2.0x35	ISO 10.9	Full	Coarse	Zinc Yellow	427890
M14-2.0x40	ISO 10.9	Full	Coarse	Plain	427868
M14-2.0x40	ISO 10.9	Full	Coarse	Phos & Oil	427882
M14-2.0x40	ISO 10.9	Full	Coarse	Zinc Yellow	427891
M14-2.0x45	ISO 10.9	Full	Coarse	Phos & Oil	427883
M14-2.0x45	ISO 10.9	Full	Coarse	Zinc Yellow	427892
M14-2.0x50	ISO 10.9	Partial	Coarse	Phos & Oil	427884

Class 10.9

SIZE	GRADE	THREAD	PITCH	FINISH	PART #
M14-2.0x50	ISO 10.9	Partial	Coarse	Zinc Yellow	427893
M14-2.0x60	ISO 10.9	Partial	Coarse	Phos & Oil	427885
M14-2.0x60	ISO 10.9	Partial	Coarse	Zinc Yellow	427894
M14-2.0x70	ISO 10.9	Partial	Coarse	Phos & Oil	427886
M14-2.0x70	ISO 10.9	Partial	Coarse	Zinc Yellow	427895
M14-2.0x80	ISO 10.9	Partial	Coarse	Phos & Oil	427897
M14-2.0x80	ISO 10.9	Partial	Coarse	Zinc Clear	427897T
M14-2.0x80	ISO 10.9	Partial	Coarse	Zinc Yellow	427896
M14-2.0x90	ISO 10.9	Partial	Coarse	Phos & Oil	427887
M14-2.0x90	ISO 10.9	Partial	Coarse	Zinc Yellow	427877
M14-2.0x100	ISO 10.9	Partial	Coarse	Phos & Oil	427888
M14-2.0x100	ISO 10.9	Partial	Coarse	Zinc Clear	427888T
M14-2.0x100	ISO 10.9	Partial	Coarse	Zinc Yellow	427899
M14-2.0x120	ISO 10.9	Partial	Coarse	Phos & Oil	427900

M14x250	ISO 10.9	Blank	Coarse	Phos & Oil	427889
---------	----------	-------	--------	------------	--------

M16-2.0x35	ISO 10.9	Full	Coarse	Phos & Oil	427907
M16-2.0x35	ISO 10.9	Full	Coarse	Zinc Yellow	427905
M16-2.0x40	ISO 10.9	Full	Coarse	Phos & Oil	427908
M16-2.0x40	ISO 10.9	Full	Coarse	Zinc Clear	427910T
M16-2.0x40	ISO 10.9	Full	Coarse	Zinc Yellow	427909
M16-2.0x45	ISO 10.9	Full	Coarse	Phos & Oil	427921
M16-2.0x45	ISO 10.9	Full	Coarse	Zinc Clear	427919T
M16-2.0x45	ISO 10.9	Full	Coarse	Zinc Yellow	427920
M16-2.0x50	ISO 10.9	Full	Coarse	Plain	427928
M16-2.0x50	ISO 10.9	Full	Coarse	Phos & Oil	427927
M16-2.0x50	ISO 10.9	Full	Coarse	Zinc Clear	427925
M16-2.0x50	ISO 10.9	Full	Coarse	Zinc Yellow	427929
M16-2.0x60	ISO 10.9	Partial	Coarse	Plain	427948
M16-2.0x60	ISO 10.9	Partial	Coarse	Phos & Oil	427946
M16-2.0x60	ISO 10.9	Partial	Coarse	Zinc Yellow	427945
M16-2.0x70	ISO 10.9	Partial	Coarse	Phos & Oil	427967
M16-2.0x70	ISO 10.9	Partial	Coarse	Zinc Yellow	427966
M16-2.0x80	ISO 10.9	Partial	Coarse	Phos & Oil	427987
M16-2.0x80	ISO 10.9	Partial	Coarse	Zinc Yellow	427986
M16-2.0x90	ISO 10.9	Partial	Coarse	Phos & Oil	428007
M16-2.0x90	ISO 10.9	Partial	Coarse	Zinc Yellow	428006
M16-2.0x90	ISO 10.9	Partial	Coarse	Zinc Clear	428008
M16-2.0x100	ISO 10.9	Partial	Coarse	Plain	428028
M16-2.0x100	ISO 10.9	Partial	Coarse	Phos & Oil	428027

Hex Flange Screws - Metric

Class 10.9

SIZE	GRADE	THREAD	PITCH	FINISH	PART #
M16-2.0x100	ISO 10.9	Partial	Coarse	Zinc Clea	428027T
M16-2.0x100	ISO 10.9	Partial	Coarse	Zinc Yellow	428026
M16-2.0x110	ISO 10.9	Partial	Coarse	Phos & Oil	428037
M16-2.0x110	ISO 10.9	Partial	Coarse	Zinc Yellow	428036
M16-2.0x120	ISO 10.9	Partial	Coarse	Plain	428048
M16-2.0x120	ISO 10.9	Partial	Coarse	Phos & Oil	428047
M16-2.0x120	ISO 10.9	Partial	Coarse	Zinc Yellow	428046
M16-2.0x210	ISO 10.9	Partial	Coarse	Zinc Yellow	428079

Hex Flange Screws - Metric

Class 8.8

SIZE	GRADE	THREAD	PITCH	FINISH	PART #
M5-0.8x10	ISO 8.8	Full	Coarse	Zinc Yellow	426981
M5-0.8x12	ISO 8.8	Full	Coarse	Zinc Yellow	426982
M5-0.8x16	ISO 8.8	Full	Coarse	Zinc Yellow	426984
M5-0.8x20	ISO 8.8	Full	Coarse	Zinc Yellow	426985

M6-1.0x10	ISO 8.8	Full	Coarse	Plain	427005
M6-1.0x10	ISO 8.8	Full	Coarse	Zinc Yellow	427001
M6-1.0x12	ISO 8.8	Full	Coarse	Zinc Yellow	427009
M6-1.0x14	ISO 8.8	Full	Coarse	Zinc Yellow	427036
M6-1.0x16	ISO 8.8	Full	Coarse	Zinc Yellow	427042
M6-1.0x20	ISO 8.8	Full	Coarse	Zinc Clear	427100
M6-1.0x20	ISO 8.8	Full	Coarse	Zinc Yellow	427064
M6-1.0x25	ISO 8.8	Partial	Coarse	Zinc Yellow	427039
M6-1.0x30	ISO 8.8	Partial	Coarse	Zinc Yellow	427091
M6-1.0x35	ISO 8.8	Partial	Coarse	Zinc Yellow	427095
M6-1.0x40	ISO 8.8	Partial	Coarse	Zinc Yellow	427104
M6-1.0x50	ISO 8.8	Partial	Coarse	Plain	427127
M6-1.0x50	ISO 8.8	Partial	Coarse	Zinc Clear	427125T

M8-1.25x12	ISO 8.8	Full	Coarse	Zinc Yellow	427226
M8-1.25x16	ISO 8.8	Full	Coarse	Plain	427249
M8-1.25x16	ISO 8.8	Full	Coarse	Zinc Yellow	427247
M8-1.25x20	ISO 8.8	Full	Coarse	Zinc Yellow	427262
M8-1.25x25	ISO 8.8	Full	Coarse	Zinc Clear	427259
M8-1.25x25	ISO 8.8	Full	Coarse	Zinc Yellow	427281
M8-1.25x30	ISO 8.8	Full	Coarse	Zinc Yellow	427251
M8-1.25x35	ISO 8.8	Partial	Coarse	Zinc Clear	427304T
M8-1.25x35	ISO 8.8	Partial	Coarse	Zinc Yellow	427256
M8-1.25x40	ISO 8.8	Partial	Coarse	Zinc Clear	427300T
M8-1.25x40	ISO 8.8	Partial	Coarse	Zinc Yellow	427354
M8-1.25x45	ISO 8.8	Partial	Coarse	Zinc Clear	427314T
M8-1.25x45	ISO 8.8	Partial	Coarse	Zinc Yellow	427312
M8-1.25x50	ISO 8.8	Partial	Coarse	Zinc Yellow	427359
M8-1.25x70	ISO 8.8	Partial	Coarse	Zinc Clear	427364T
M8-1.25x70	ISO 8.8	Partial	Coarse	Zinc Yellow	427363
M8-1.25x80	ISO 8.8	Partial	Coarse	Plain	427385
M8-1.25x80	ISO 8.8	Partial	Coarse	Zinc Clear	427384T
M8-1.25x80	ISO 8.8	Partial	Coarse	Zinc Yellow	427383
M8-1.25x90	ISO 8.8	Partial	Coarse	Zinc Yellow	427395

M10-1.5x20	ISO 8.8	Full	Coarse	Zinc Clear	427469
------------	---------	------	--------	------------	--------

Class 8.8

SIZE	GRADE	THREAD	PITCH	FINISH	PART #
M10-1.5x20	ISO 8.8	Full	Coarse	Zinc Yellow	427467
M10-1.5x25	ISO 8.8	Full	Coarse	Plain	427419
M10-1.5x25	ISO 8.8	Full	Coarse	Zinc Yellow	427476
M10-1.5x30	ISO 8.8	Full	Coarse	Plain	427503
M10-1.5x30	ISO 8.8	Full	Coarse	Zinc Clear	427487T
M10-1.5x30	ISO 8.8	Full	Coarse	Zinc Yellow	427491
M10-1.25x35	ISO 8.8	Full	Coarse	Plain	427497
M10-1.5x35	ISO 8.8	Full	Coarse	Zinc Clear	427500
M10-1.5x35	ISO 8.8	Full	Coarse	Zinc Yellow	427493
M10-1.5x35	ISO 8.8	Full	Coarse	Zinc Yellow	427506
M10-1.5x40	ISO 8.8	Partial	Coarse	Zinc Yellow	427509
M10-1.5x50	ISO 8.8	Partial	Coarse	Zinc Yellow	427532
M10-1.5x55	ISO 8.8	Partial	Coarse	Zinc Yellow	427535
M10-1.5x70	ISO 8.8	Partial	Coarse	Plain	427565
M10-1.5x70	ISO 8.8	Partial	Coarse	Zinc Yellow	427567
M10-1.5x80	ISO 8.8	Partial	Coarse	Zinc Yellow	467185
M10-1.5x110	ISO 8.8	Partial	Coarse	Zinc Yellow	427600

M12-1.75x25	ISO 8.8	Full	Coarse	Zinc Yellow	427679
M12-1.75x30	ISO 8.8	Full	Coarse	Zinc Clear	461106
M12-1.75x30	ISO 8.8	Full	Coarse	Zinc Yellow	427682
M12-1.75x35	ISO 8.8	Full	Coarse	Zinc Yellow	427691
M12-1.75x40	ISO 8.8	Full	Coarse	Zinc Yellow	427701
M12-1.75x50	ISO 8.8	Partial	Coarse	Zinc Yellow	427725
M12-1.75x60	ISO 8.8	Partial	Coarse	Zinc Yellow	427740
M12-1.75x60	ISO 8.8	Partial	Coarse	Plain	427115

Hex Flange Screws - Metric

JIS Metric 10.9

SIZE	GRADE	THREAD	PITCH	FINISH	PART #
M6-1.0x12	ISO 10.9	Full	Coarse	Zinc Clear	430100
M6-1.0x16	ISO 10.9	Full	Coarse	Zinc Clear	430102
M6-1.0x20	ISO 10.9	Full	Coarse	Zinc Clear	430104
M6-1.0x25	ISO 10.9	Full	Coarse	Zinc Clear	430107
M6-1.0x30	ISO 10.9	Partial	Coarse	Zinc Clear	430108
M6-1.0x35	ISO 10.9	Partial	Coarse	Zinc Clear	430110
M6-1.0x40	ISO 10.9	Partial	Coarse	Zinc Clear	430112

M8-1.25x12	ISO 10.9	Full	Coarse	Zinc Clear	430120
M8-1.25x16	ISO 10.9	Full	Coarse	Zinc Clear	430122
M8-1.25x20	ISO 10.9	Full	Coarse	Zinc Clear	430124
M8-1.25x25	ISO 10.9	Full	Coarse	Zinc Clear	430126
M8-1.25x30	ISO 10.9	Full	Coarse	Zinc Clear	430128
M8-1.25x35	ISO 10.9	Partial	Coarse	Zinc Clear	430130
M8-1.25x40	ISO 10.9	Partial	Coarse	Zinc Clear	430132
M8-1.25x45	ISO 10.9	Partial	Coarse	Zinc Clear	430134
M8-1.25x50	ISO 10.9	Partial	Coarse	Zinc Clear	430136
M8-1.25x60	ISO 10.9	Partial	Coarse	Zinc Clear	430138

M10-1.25x16	ISO 10.9	Full	Fine	Zinc Clear	430140
M10-1.25x20	ISO 10.9	Full	Fine	Zinc Clear	430142
M10-1.25x25	ISO 10.9	Full	Fine	Zinc Clear	430144
M10-1.25x30	ISO 10.9	Full	Fine	Zinc Clear	430146
M10-1.25x35	ISO 10.9	Full	Fine	Zinc Clear	430150
M10-1.25x40	ISO 10.9	Partial	Fine	Zinc Clear	430152
M10-1.25x45	ISO 10.9	Partial	Fine	Zinc Clear	430154
M10-1.25x50	ISO 10.9	Partial	Fine	Zinc Clear	430156
M10-1.25x60	ISO 10.9	Partial	Fine	Zinc Clear	430158
M10-1.25x70	ISO 10.9	Partial	Fine	Zinc Clear	430160
M10-1.25x80	ISO 10.9	Partial	Fine	Zinc Clear	430162
M10-1.25x90	ISO 10.9	Partial	Fine	Zinc Clear	430164
M10-1.25x100	ISO 10.9	Partial	Fine	Zinc Clear	430168

M12-1.25x20	ISO 10.9	Full	Fine	Zinc Clear	430170
M12-1.25x25	ISO 10.9	Full	Fine	Zinc Clear	430172
M12-1.25x30	ISO 10.9	Full	Fine	Zinc Clear	430173
M12-1.25x35	ISO 10.9	Full	Fine	Zinc Clear	430174
M12-1.25x40	ISO 10.9	Full	Fine	Zinc Clear	430176
M12-1.25x45	ISO 10.9	Partial	Fine	Zinc Clear	430178
M12-1.25x50	ISO 10.9	Partial	Fine	Zinc Clear	430179
M12-1.25x55	ISO 10.9	Partial	Fine	Zinc Clear	430180

JIS Metric 10.9

SIZE	GRADE	THREAD	PITCH	FINISH	PART #
M12-1.25x60	ISO 10.9	Partial	Fine	Zinc Clear	430181
M12-1.25x70	ISO 10.9	Partial	Fine	Zinc Clear	430183
M12-1.25x80	ISO 10.9	Partial	Fine	Zinc Clear	430185
M12-1.25x90	ISO 10.9	Partial	Fine	Zinc Clear	430187
M12-1.25x100	ISO 10.9	Partial	Fine	Zinc Clear	430189

Hex Flange Screws - Metric

A2-70 Stainless Steel

SIZE	GRADE	THREAD	PITCH	FINISH	PART #
M6-1.0x12	A2-70	Full	Coarse	Passivated	428300
M6-1.0x16	A2-70	Full	Coarse	Passivated	428302
M6-1.0x20	A2-70	Full	Coarse	Passivated	428304
M6-1.0x25	A2-70	Partial	Coarse	Passivated	428306
M6-1.0x30	A2-70	Partial	Coarse	Passivated	428308

M8-1.25x16	A2-70	Full	Coarse	Passivated	428310
M8-1.25x20	A2-70	Full	Coarse	Passivated	428312
M8-1.25x25	A2-70	Full	Coarse	Passivated	428314
M8-1.25x30	A2-70	Full	Coarse	Passivated	428316
M8-1.25x35	A2-70	Full	Coarse	Passivated	428318
M8-1.25x40	A2-70	Partial	Coarse	Passivated	428320

M10-1.5x20	A2-70	Full	Coarse	Passivated	428322
M10-1.5x25	A2-70	Full	Coarse	Passivated	428324
M10-1.5x30	A2-70	Full	Coarse	Passivated	428326
M10-1.5x35	A2-70	Full	Coarse	Passivated	428328
M10-1.5x40	A2-70	Partial	Coarse	Passivated	428330
M10-1.5x45	A2-70	Partial	Coarse	Passivated	428332
M10-1.5x50	A2-70	Partial	Coarse	Passivated	428334

M12-1.75x25	A2-70	Full	Coarse	Passivated	428336
M12-1.75x30	A2-70	Full	Coarse	Passivated	428338
M12-1.75x35	A2-70	Full	Coarse	Passivated	428340
M12-1.75x40	A2-70	Full	Coarse	Passivated	428342
M12-1.75x45	A2-70	Partial	Coarse	Passivated	428344
M12-1.75x50	A2-70	Partial	Coarse	Passivated	428346
M12-1.75x60	A2-70	Partial	Coarse	Passivated	428348