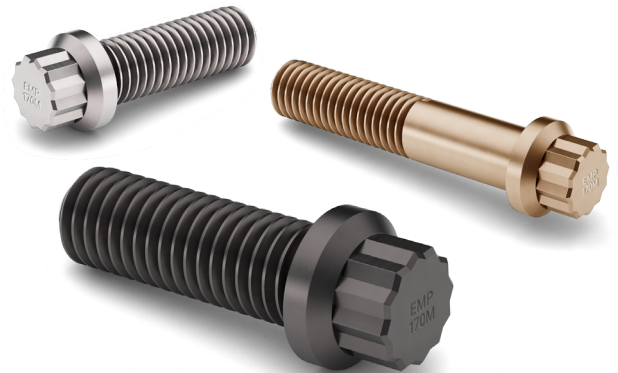




12-Point Flange Screws

More torque. Tighter fit.

12-Point Flange Screws are engineered to replace traditional Hex Socket Head Cap Screws and will not round out over time. The 12-point head design provides more torque during installation creating a tighter, more secure assembly. Earnest Machine stocks 12-Point Flange Screws in sizes ranging from 1/4" to 1 1/4".



PRODUCT ATTRIBUTES

- Built-in washer distributes clamping load over wider area
- Reusable & 12-point head will not round out over time
- Replaces hex socket head cap screw applications
- Sizes range from 1/4" to 1 1/4"

MARKETS FOR 12-POINT FLANGE SCREWS

- Diesel Engines
- Construction Equipment
- Agriculture Equipment
- Aerospace Equipment

THIS PRODUCT IS OFTEN CALLED...

- Ferry Cap Screw
- Counter Bore Screw
- 12-Point Bolt
- Double Hex Flange Screw

AVAILABLE VALUE ADDED SERVICES

- Bulk, full case & broken quantities
- Secondary & rework services available
- Custom packaging services
- Custom plating

ADDITIONAL HEX FLANGE PRODUCT WE SUPPLY

- Hex Flange Lag Screws
- Hex Flange Screws
- Metric & JIS Hex Flange Screws
- Metric Stainless Steel Hex Flange Screws
- Hex Serrated Flange Screws
- Large Flange Hex Serrated Flange Screws
- Stainless Steel Hex Serrated Flange Screws
- Metric Hex Serrated Flange Screws
- Hex Flange Nuts
- Metric & JIS Hex Flange Nuts
- Metric Stainless Steel Hex Flange Nuts
- Hex Serrated Flange Lock Nuts
- Large Flange Hex Serrated Flange Lock Nuts
- Stainless Steel Hex Serrated Flange Lock Nuts
- Metric & JIS Hex Serrated Flange Lock Nuts

BACKED BY THE EARNEST
Service
GUARANTEE

**The right part.
The right quantity.
On-time.
Everytime.**

170M 12-POINT FLANGE SCREWS

12-Point Flange Screws are manufactured in accordance with the latest revision of the following industry standards:

- IFI - 115** Dimensional Requirements
- ASTM A574** Material and Strength Level
- ASME B1.1** Thread Requirements
- ASTM F788** Surface Discontinuities
- ASME B18.18** Inspection and Quality Assurance

THREADS

Threads made to the requirements of ASME B1.1 Unified Threads (UNC & UNF)

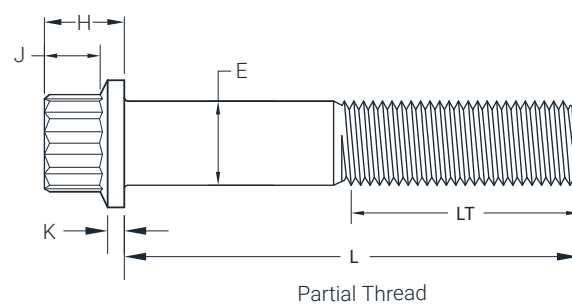
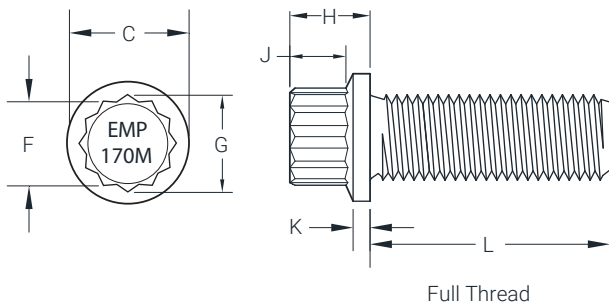
- Class 3A for Diameters up to 1"
- Class 2A for Diameters up to 1 1/8" and larger

Thread acceptance per ASME B1.3, System 21

PLATING

- Plain
- Phos and Oil
- Zinc Clear (RoHS compliant Cr3+)
- Zinc Yellow

DIMENSIONS FOR 170M 12-POINT FLANGE SCREWS



DIAMETER	BODY DIAMETER (E)		FLANGE DIAMETER (C)		WIDTH ACROSS FLATS (F)		WIDTH ACROSS CORNERS (G)	HEAD HEIGHT (H)		WRENCHING HEIGHT (J)	FLANGE THICKNESS (K)	THREAD LENGTH (LT)
	MAX	MIN	MAX	MIN	MAX	MIN	MIN	MAX	MIN	MIN	BASIC	
1/4	0.250	0.244	0.375	0.365	0.252	0.244	0.278	0.260	0.15	0.058	1.000	
5/16	0.312	0.305	0.469	0.457	0.315	0.306	0.348	0.312	0.18	0.074	1.125	
3/8	0.375	0.368	0.562	0.550	0.377	0.368	0.420	0.375	0.21	0.095	1.250	
7/16	0.437	0.429	0.656	0.642	0.438	0.429	0.489	0.438	0.26	0.109	1.375	
1/2	0.500	0.492	0.750	0.735	0.502	0.493	0.562	0.500	0.29	0.129	1.500	
9/16	0.562	0.554	0.844	0.828	0.564	0.555	0.633	0.563	0.33	0.145	1.625	
5/8	0.625	0.616	0.938	0.921	0.627	0.618	0.705	0.625	0.36	0.166	1.750	
3/4	0.750	0.741	1.125	1.107	0.752	0.743	0.847	0.750	0.44	0.200	2.000	
7/8	0.875	0.865	1.312	1.293	0.877	0.866	0.987	0.875	0.51	0.234	2.250	
1	1.000	0.989	1.500	1.479	1.003	0.991	1.130	1.000	0.60	0.268	2.500	
1 1/8	1.125	1.109	1.688	1.665	1.128	1.115	1.271	1.125	0.66	0.310	2.750	
1 1/4	1.250	1.234	1.875	1.852	1.253	1.240	1.414	1.250	0.73	0.350	3.000	

MATERIAL AND PHYSICAL PROPERTIES

170M



*The specifications shown on this sheet are not intended to be used in the production of parts. Earnest Machine is not responsible or liable in any manner for any production errors and we certify the information present on this specification sheet is correct to the best of our knowledge.

©2021 Earnest Machine Products

Chemical Composition:

CARBON (C)	PHOSPHORUS (P)	SULFUR (S)
Max	Max	Max
0.31	0.040	0.045

Alloy

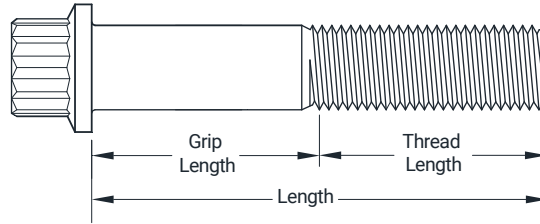
ASTM A574 (CONTAINING ONE OR MORE OF THE FOLLOWING)
Cr, Mo, Ni, V

Hardness

≤ 1/2" DIA	> 1/2" DIA
HRC 39/44	HRC 37/44

Tensile Strength

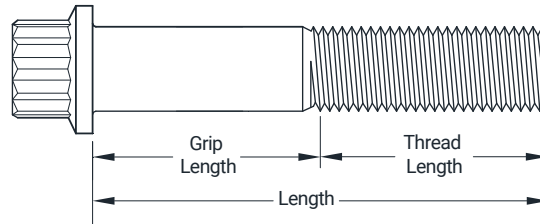
≤ 1/2" DIA	> 1/2" DIA
180,000 psi min	170,000 psi min


12-POINT FLANGE SCREW THREAD LENGTHS

LENGTH	DIAMETER											
	1/4		5/16		3/8		7/16		1/2		5/8	
	MAX GRIP	MIN THREAD	MAX GRIP	MIN THREAD	MAX GRIP	MIN THREAD	MAX GRIP	MIN THREAD	MAX GRIP	MIN THREAD	MAX GRIP	MIN THREAD
1-1/2	0.500	1.000	-	-	-	-	-	-	-	-	-	-
1-3/4	0.500	1.250	0.625	1.125	-	-	-	-	-	-	-	-
2	1.000	1.000	0.625	1.375	0.500	1.250	0.625	1.375	-	-	-	-
2-1/4	1.000	1.250	1.125	1.125	0.500	1.500	0.625	1.625	0.750	1.500	-	-
2-1/2	1.500	1.000	1.125	1.375	1.000	1.250	1.125	1.375	0.750	1.750	0.750	1.750
2-3/4	1.500	1.250	1.625	1.125	1.000	1.500	1.125	1.625	0.750	2.000	0.750	1.500
3	2.000	1.000	1.625	1.375	1.500	1.250	1.625	1.375	1.500	1.500	0.750	2.250
3-1/4	2.000	1.250	2.125	1.125	1.500	1.500	1.625	1.625	1.500	1.750	1.500	1.750
3-1/2	2.500	1.250	2.125	1.375	2.000	1.250	2.125	1.375	1.500	2.000	1.500	2.000
3-3/4	2.500	1.250	2.625	1.125	2.000	1.500	2.125	1.625	2.250	1.500	1.500	2.250
4	3.000	1.000	2.625	1.375	2.500	1.250	2.625	1.375	2.250	1.750	2.250	1.500
4-1/4	3.000	1.250	3.125	1.125	2.500	1.500	2.625	1.625	2.250	2.000	2.250	2.000
4-1/2	3.500	1.000	3.125	1.375	3.000	1.250	3.125	1.375	3.000	1.500	2.250	2.250
4-3/4	3.500	1.250	3.625	1.125	3.000	1.500	3.125	1.625	3.000	1.750	3.000	1.750
5	4.000	1.000	3.625	1.375	3.500	1.250	3.625	1.375	3.000	2.000	3.000	2.000
5-1/4	-	-	4.125	1.125	3.500	1.500	3.625	1.625	3.750	1.500	3.000	2.250
5-1/2	-	-	4.125	1.375	4.000	1.250	4.125	1.375	3.750	1.750	3.750	2.250
5-3/4	-	-	4.625	1.125	4.000	1.500	4.125	1.625	3.750	2.000	3.750	2.000
6	-	-	4.625	1.375	4.500	1.250	4.625	1.375	4.500	1.500	3.750	2.250
6-1/4	-	-	5.125	1.125	4.500	1.500	4.625	1.625	4.500	1.750	4.500	1.750
6-1/2	-	-	5.125	1.375	5.000	1.250	5.125	1.375	4.500	2.000	4.500	2.000
6-3/4	-	-	-	-	5.000	1.500	5.125	1.625	5.250	1.500	4.500	2.250
7	-	-	-	-	5.500	1.250	5.625	1.375	5.250	1.750	5.250	1.750
7-1/4	-	-	-	-	5.500	1.500	5.625	1.625	5.250	2.000	5.250	2.000
7-1/2	-	-	-	-	6.000	1.250	6.125	1.375	6.000	1.500	5.250	2.250
7-3/4	-	-	-	-	-	-	6.125	1.625	6.000	1.750	6.000	1.750
8	-	-	-	-	-	-	6.625	1.375	6.000	2.000	6.000	2.000

*The specifications shown on this sheet are not intended to be used in the production of parts. Earnest Machine is not responsible or liable in any manner for any production errors and we certify the information present on this specification sheet is correct to the best of our knowledge.

©2021 Earnest Machine Products


12-POINT FLANGE SCREW THREAD LENGTHS CONTINUED

LENGTH	DIAMETER											
	3/4		7/8		1		1 1/8		1 1/4		1 1/2	
	MAX GRIP	MIN THREAD	MAX GRIP	MIN THREAD	MAX GRIP	MIN THREAD	MAX GRIP	MIN THREAD	MAX GRIP	MIN THREAD	MAX GRIP	MIN THREAD
1-1/2	-	-	-	-	-	-	-	-	-	-	-	-
1-3/4	-	-	-	-	-	-	-	-	-	-	-	-
2	-	-	-	-	-	-	-	-	-	-	-	-
2-1/4	-	-	-	-	-	-	-	-	-	-	-	-
2-1/2	-	-	-	-	-	-	-	-	-	-	-	-
2-3/4	-	-	-	-	-	-	-	-	-	-	-	-
3	1.000	2.000	-	-	-	-	-	-	-	-	-	-
3-1/4	1.000	2.250	1.000	2.250	-	-	-	-	-	-	-	-
3-1/2	1.000	2.500	1.000	2.500	1.000	2.500	-	-	-	-	-	-
3-3/4	1.000	2.750	1.000	2.750	1.000	2.750	1.000	2.750	-	-	-	-
4	2.000	2.000	1.000	3.000	1.000	3.000	1.000	3.000	1.000	3.000	-	-
4-1/4	2.000	2.250	2.000	2.250	1.000	3.250	1.000	3.250	1.000	3.250	-	-
4-1/2	2.000	2.500	2.000	2.500	2.000	2.500	1.000	3.250	1.000	3.500	1.000	3.500
4-3/4	2.000	2.750	2.000	2.750	2.000	2.750	2.000	2.750	1.000	3.750	1.000	3.750
5	3.000	2.000	2.000	3.000	2.000	3.000	2.000	3.000	2.000	3.000	1.000	4.000
5-1/4	3.000	2.250	3.000	2.250	2.000	3.250	2.000	3.250	2.000	3.250	1.000	4.250
5-1/2	3.000	2.500	3.000	2.500	3.000	2.500	2.000	3.500	2.000	3.500	2.000	3.500
5-3/4	3.000	2.750	3.000	2.750	3.000	2.750	3.000	2.750	2.000	3.750	2.000	3.750
6	4.000	2.000	3.000	3.000	3.000	3.000	3.000	3.000	3.000	3.000	2.000	4.000
6-1/4	4.000	2.250	4.000	2.250	3.000	3.250	3.000	3.250	3.000	3.250	2.000	4.250
6-1/2	4.000	2.500	4.000	2.500	4.000	2.500	3.000	3.500	3.000	3.500	3.000	3.500
6-3/4	4.000	2.750	4.000	2.750	4.000	2.750	4.000	3.750	3.000	3.750	3.000	3.750
7	5.000	2.000	4.000	3.000	4.000	3.000	4.000	3.000	4.000	3.000	3.000	4.000
7-1/4	5.000	2.250	5.000	2.250	4.000	3.250	4.000	3.250	4.000	3.250	3.000	3.250
7-1/2	5.000	2.500	5.000	2.500	5.000	2.500	4.000	3.500	4.000	3.500	4.000	3.500
7-3/4	5.000	2.750	5.000	2.750	5.000	2.750	5.000	2.750	4.000	3.750	4.000	3.750
8	6.000	2.000	5.000	3.000	5.000	3.000	5.000	3.000	5.000	3.000	4.000	4.000

*The specifications shown on this sheet are not intended to be used in the production of parts. Earnest Machine is not responsible or liable in any manner for any production errors and we certify the information present on this specification sheet is correct to the best of our knowledge.

©2021 Earnest Machine Products

12-Point Flange Screws - Inch

170M

SIZE	GRADE	THREAD	PITCH	FINISH	PART #
1/4-20x1/2	170M	Full	Coarse	Plain Finish	701018
1/4-20x5/8	170M	Full	Coarse	Plain Finish	701028
1/4-20x3/4	170M	Full	Coarse	Plain Finish	701038
1/4-20x7/8	170M	Full	Coarse	Plain Finish	701048
1/4-20x1	170M	Full	Coarse	Plain Finish	701058
1/4-20x1 1/4	170M	Full	Coarse	Plain Finish	701078
1/4-20x1 1/2	170M	Partial	Coarse	Plain Finish	701098
1/4-20x1 3/4	170M	Partial	Coarse	Plain Finish	701118
1/4-20x2	170M	Partial	Coarse	Plain Finish	701138
1/4-20x2 1/4	170M	Partial	Coarse	Plain Finish	701148
1/4-20x2 1/2	170M	Partial	Coarse	Plain Finish	701158
1/4-20x3	170M	Partial	Coarse	Plain Finish	701178

1/4-28x1/2	170M	Full	Fine	Plain Finish	702018
1/4-28x5/8	170M	Full	Fine	Plain Finish	702028
1/4-28x3/4	170M	Full	Fine	Plain Finish	702038
1/4-28x7/8	170M	Full	Fine	Plain Finish	702048
1/4-28x1	170M	Full	Fine	Plain Finish	702058
1/4-28x1 1/4	170M	Full	Fine	Plain Finish	702078
1/4-28x1 1/2	170M	Partial	Fine	Plain Finish	702098
1/4-28x1 3/4	170M	Partial	Fine	Plain Finish	702118
1/4-28x2	170M	Partial	Fine	Plain Finish	702138
1/4-28x2 1/4	170M	Partial	Fine	Plain Finish	702148
1/4-28x2 1/2	170M	Partial	Fine	Plain Finish	702158

5/16-18x1/2	170M	Full	Coarse	Plain Finish	703018
5/16-18x5/8	170M	Full	Coarse	Plain Finish	703028
5/16-18x3/4	170M	Full	Coarse	Plain Finish	703038
5/16-18x7/8	170M	Full	Coarse	Plain Finish	703048
5/16-18x1	170M	Full	Coarse	Plain Finish	703058
5/16-18x1	170M	Full	Coarse	Zinc Yellow	703059
5/16-18x1	170M	Full	Coarse	Zinc Black	703057T
5/16-18x1 1/4	170M	Full	Coarse	Plain Finish	703078
5/16-18x1 1/2	170M	Full	Coarse	Plain Finish	703098
5/16-18x1 5/8	170M	Full	Coarse	Plain Finish	703108
5/16-18x1 3/4	170M	Partial	Coarse	Plain Finish	703118
5/16-18x2	170M	Partial	Coarse	Plain Finish	703138
5/16-18x2 1/4	170M	Partial	Coarse	Plain Finish	703148
5/16-18x2 1/2	170M	Partial	Coarse	Plain Finish	703158
5/16-18x2 3/4	170M	Partial	Coarse	Plain Finish	703168
5/16-18x3	170M	Partial	Coarse	Plain Finish	703178

170M

SIZE	GRADE	THREAD	PITCH	FINISH	PART #
5/16-24x1/2	170M	Full	Fine	Plain Finish	704018
5/16-24x3/4	170M	Full	Fine	Plain Finish	704038
5/16-24x7/8	170M	Full	Fine	Plain Finish	704048
5/16-24x7/8	170M	Full	Fine	Zinc Yellow	704049
5/16-24x1	170M	Full	Fine	Plain Finish	704058
5/16-24x1 1/4	170M	Full	Fine	Plain Finish	704078
5/16-24x1 1/2	170M	Full	Fine	Plain Finish	704098
5/16-24x1 3/4	170M	Partial	Fine	Plain Finish	704118
5/16-24x2	170M	Partial	Fine	Plain Finish	704138
5/16-24x2	170M	Partial	Fine	Zinc Clear	704137T
5/16-24x2 1/4	170M	Partial	Fine	Plain Finish	704148
5/16-24x2 1/2	170M	Partial	Fine	Plain Finish	704158
5/16-24x3	170M	Partial	Fine	Plain Finish	704178
5/16-24x3	170M	Partial	Fine	Zinc Clear	704177T

3/8-16x3/4	170M	Full	Coarse	Plain Finish	706038
3/8-16x13/16	170M	Full	Coarse	Plain Finish	706041
3/8-16x13/16	170M	Full	Coarse	Zinc Clear	706040T
3/8-16x7/8	170M	Full	Coarse	Plain Finish	706048
3/8-16x1	170M	Full	Coarse	Plain Finish	706058
3/8-16x1	170M	Full	Coarse	Zinc Clear	706060
3/8-16x1	170M	Full	Coarse	Zinc Yellow	706057
3/8-16x1 1/8	170M	Full	Coarse	Plain Finish	706068
3/8-16x1 1/8	170M	Full	Coarse	Black Oxide	706070
3/8-16x1 1/8	170M	Full	Coarse	Zinc Yellow	706069
3/8-16x1 1/4	170M	Full	Coarse	Plain Finish	706078
3/8-16x1 1/4	170M	Full	Coarse	Zinc Clear	706080
3/8-16x1 1/4	170M	Full	Coarse	Zinc Yellow	706079
3/8-16x1 3/8	170M	Full	Coarse	Plain Finish	706088
3/8-16x1 1/2	170M	Full	Coarse	Plain Finish	706098
3/8-16x1 1/2	170M	Full	Coarse	Zinc Clear	706096T
3/8-16x1 3/4	170M	Partial	Coarse	Plain Finish	706118
3/8-16x2	170M	Partial	Coarse	Plain Finish	706138
3/8-16x2 1/4	170M	Partial	Coarse	Plain Finish	706148
3/8-16x2 1/2	170M	Partial	Coarse	Plain Finish	706158
3/8-16x2 3/4	170M	Partial	Coarse	Plain Finish	706168
3/8-16x3	170M	Partial	Coarse	Plain Finish	706178
3/8-16x3 1/4	170M	Partial	Coarse	Plain Finish	706188
3/8-16x3 1/2	170M	Partial	Coarse	Plain Finish	706198
3/8-16x3 3/4	170M	Partial	Coarse	Plain Finish	706208
3/8-16x4	170M	Partial	Coarse	Plain Finish	706218

12-Point Flange Screw - Inch

170M

SIZE	GRADE	THREAD	PITCH	FINISH	PART #
3/8-16x4 1/2	170M	Partial	Coarse	Plain Finish	706228
3/8-16x5	170M	Partial	Coarse	Plain Finish	706258

3/8-24x5/8	170M	Full	Fine	Plain Finish	707028
3/8-24x3/4	170M	Full	Fine	Plain Finish	707038
3/8-24x7/8	170M	Full	Fine	Plain Finish	707048
3/8-24x1	170M	Full	Fine	Plain Finish	707058
3/8-24x1	170M	Full	Fine	Zinc Yellow	707057
3/8-24x1 1/4	170M	Full	Fine	Plain Finish	707078
3/8-24x1 1/4	170M	Full	Fine	Zinc Yellow	707079
3/8-24x1 1/2	170M	Full	Fine	Plain Finish	707098
3/8-24x1 3/4	170M	Partial	Fine	Plain Finish	707118
3/8-24x2	170M	Partial	Fine	Plain Finish	707138
3/8-24x2 1/4	170M	Partial	Fine	Plain Finish	707148
3/8-24x2 1/2	170M	Partial	Fine	Plain Finish	707158
3/8-24x2 3/4	170M	Partial	Fine	Plain Finish	707168
3/8-24x3	170M	Partial	Fine	Plain Finish	707178
3/8-24x3 1/4	170M	Partial	Fine	Plain Finish	707188
3/8-24x3 1/2	170M	Partial	Fine	Plain Finish	707198
3/8-24x5	170M	Partial	Fine	Plain Finish	707258

7/16-14x3/4	170M	Full	Coarse	Plain Finish	708038
7/16-14x1	170M	Full	Coarse	Plain Finish	708058
7/16-14x1 1/4	170M	Full	Coarse	Plain Finish	708078
7/16-14x1 1/2	170M	Full	Coarse	Plain Finish	708098
7/16-14x1 3/4	170M	Full	Coarse	Plain Finish	708118
7/16-14x2	170M	Partial	Coarse	Plain Finish	708138
7/16-14x2 1/4	170M	Partial	Coarse	Plain Finish	708148
7/16-14x2 1/2	170M	Partial	Coarse	Plain Finish	708158
7/16-14x2 3/4	170M	Partial	Coarse	Plain Finish	708168
7/16-14x3	170M	Partial	Coarse	Plain Finish	708178
7/16-14x3 1/2	170M	Partial	Coarse	Plain Finish	708198
7/16-14x4	170M	Partial	Coarse	Plain Finish	708218

7/16-20x3/4	170M	Full	Fine	Plain Finish	709038
7/16-20x7/8	170M	Full	Fine	Plain Finish	709048
7/16-20x1	170M	Full	Fine	Plain Finish	709058
7/16-20x1 1/4	170M	Full	Fine	Plain Finish	709078
7/16-20x1 1/2	170M	Full	Fine	Plain Finish	709098
7/16-20x1 3/4	170M	Full	Fine	Plain Finish	709118
7/16-20x2	170M	Full	Fine	Plain Finish	709136

170M

SIZE	GRADE	THREAD	PITCH	FINISH	PART #
7/16-20x2	170M	Partial	Fine	Plain Finish	709138
7/16-20x2 1/4	170M	Partial	Fine	Plain Finish	709148
7/16-20x2 1/2	170M	Partial	Fine	Plain Finish	709158
7/16-20x2 3/4	170M	Partial	Fine	Plain Finish	709168
7/16-20x3	170M	Partial	Fine	Plain Finish	709178
7/16-20x4	170M	Partial	Fine	Plain Finish	709218

1/2-13x1/2	170M	Full	Coarse	Plain Finish	711018
1/2-13x5/8	170M	Full	Coarse	Plain Finish	711028
1/2-13x3/4	170M	Full	Coarse	Plain Finish	711038
1/2-13x7/8	170M	Full	Coarse	Plain Finish	711048
1/2-13x1	170M	Full	Coarse	Plain Finish	711058
1/2-13x1	170M	Full	Coarse	Zinc Yellow	711059
1/2-13x1 1/4	170M	Full	Coarse	Plain Finish	711078
1/2-13x1 1/4	170M	Full	Coarse	Zinc Yellow	711077
1/2-13x1 3/8	170M	Full	Coarse	Plain Finish	711088
1/2-13x1 1/2	170M	Full	Coarse	Plain Finish	711098
1/2-13x1 1/2	170M	Full	Coarse	Zinc Clear	711096T
1/2-13x1 3/4	170M	Full	Coarse	Plain Finish	711118
1/2-13x1 3/4	170M	Full	Coarse	Zinc Clear	711114T
1/2-13x1 3/4	170M	Full	Coarse	Zinc Yellow	711119
1/2-13x2	170M	Full	Coarse	Plain Finish	711138
1/2-13x2	170M	Full	Coarse	Zinc Yellow	711139
1/2-13x2 1/8	170M	Full	Coarse	Plain Finish	711143
1/2-13x2 1/4	170M	Partial	Coarse	Plain Finish	711148
1/2-13x2 1/4	170M	Partial	Coarse	Zinc Yellow	711149
1/2-13x2 1/2	170M	Partial	Coarse	Plain Finish	711158
1/2-13x2 3/4	170M	Partial	Coarse	Plain Finish	711168
1/2-13x2 7/8	170M	Partial	Coarse	Plain Finish	711120
1/2-13x3	170M	Partial	Coarse	Plain Finish	711178
1/2-13x3 1/4	170M	Partial	Coarse	Plain Finish	711188
1/2-13x3 1/2	170M	Partial	Coarse	Plain Finish	711198
1/2-13x4	170M	Partial	Coarse	Plain Finish	711218
1/2-13x4 1/4	170M	Partial	Coarse	Plain Finish	711228
1/2-13x4 1/2	170M	Partial	Coarse	Plain Finish	711238
1/2-13x5	170M	Partial	Coarse	Plain Finish	711258
1/2-13x5 1/2	170M	Partial	Coarse	Plain Finish	711278
1/2-13x6	170M	Partial	Coarse	Plain Finish	711298
1/2-13x6 1/2	170M	Partial	Coarse	Plain Finish	711318
1/2-13x7	170M	Partial	Coarse	Plain Finish	711338
1/2-13x7 1/2	170M	Partial	Coarse	Plain Finish	711358

12-Point Flange Screw - Inch

170M

SIZE	GRADE	THREAD	PITCH	FINISH	PART #
1/2-20x7/8	170M	Full	Fine	Plain Finish	712048
1/2-20x1	170M	Full	Fine	Plain Finish	712058
1/2-20x1 1/4	170M	Full	Fine	Plain Finish	712078
1/2-20x1 1/2	170M	Full	Fine	Plain Finish	712098
1/2-20x1 3/4	170M	Full	Fine	Plain Finish	712118
1/2-20x1 7/8	170M	Full	Fine	Plain Finish	712119
1/2-20x2	170M	Full	Fine	Plain Finish	712138
1/2-20x2 1/4	170M	Partial	Fine	Plain Finish	712148
1/2-20x2 1/2	170M	Partial	Fine	Plain Finish	712158
1/2-20x2 3/4	170M	Partial	Fine	Plain Finish	712168
1/2-20x3	170M	Partial	Fine	Plain Finish	712178
1/2-20x3 1/4	170M	Partial	Fine	Plain Finish	712188
1/2-20x3 1/2	170M	Partial	Fine	Plain Finish	712198
1/2-20x4	170M	Partial	Fine	Plain Finish	712218
1/2-20x5	170M	Partial	Fine	Plain Finish	712258
1/2-20x5 1/2	170M	Partial	Fine	Plain Finish	712278
1/2-20x6	170M	Partial	Fine	Plain Finish	712298
1/2-20x6 1/2	170M	Partial	Fine	Plain Finish	712318
1/2-20x7	170M	Partial	Fine	Plain Finish	712338
1/2-20x7 1/2	170M	Partial	Fine	Plain Finish	712358

5/8-11x1 1/4	170M	Full	Coarse	Plain Finish	716078
5/8-11x1 1/2	170M	Full	Coarse	Plain Finish	716098
5/8-11x1 3/4	170M	Full	Coarse	Plain Finish	716118
5/8-11x1 3/4	170M	Full	Coarse	Zinc Clear	716119T
5/8-11x2	170M	Full	Coarse	Zinc Clear	716137T
5/8-11x2	170M	Full	Coarse	Plain Finish	716138
5/8-11x2	170M	Full	Coarse	Zinc Yellow	716139
5/8-11x2 1/4	170M	Full	Coarse	Plain Finish	716148
5/8-11x2 1/2	170M	Partial	Coarse	Plain Finish	716158
5/8-11x2 3/4	170M	Partial	Coarse	Plain Finish	716168
5/8-11x3	170M	Partial	Coarse	Plain Finish	716178
5/8-11x3 1/4	170M	Partial	Coarse	Plain Finish	716188
5/8-11x3 1/2	170M	Partial	Coarse	Plain Finish	716198
5/8-11x3 3/4	170M	Partial	Coarse	Plain Finish	716208
5/8-11x4	170M	Partial	Coarse	Plain Finish	716218
5/8-11x4 1/2	170M	Partial	Coarse	Plain Finish	716238
5/8-11x5	170M	Partial	Coarse	Plain Finish	716258
5/8-11x5 1/2	170M	Partial	Coarse	Plain Finish	716278
5/8-11x6	170M	Partial	Coarse	Plain Finish	716298
5/8-11x6 1/2	170M	Partial	Coarse	Plain Finish	716318

170M

SIZE	GRADE	THREAD	PITCH	FINISH	PART #
5/8-18x1	170M	Full	Fine	Plain Finish	717058
5/8-18x1 1/2	170M	Full	Fine	Plain Finish	717098
5/8-18x1 3/4	170M	Full	Fine	Plain Finish	717118
5/8-18x2	170M	Full	Fine	Plain Finish	717138
5/8-18x2 1/4	170M	Full	Fine	Plain Finish	717148
5/8-18x2 1/2	170M	Partial	Fine	Plain Finish	717158
5/8-18x2 3/4	170M	Partial	Fine	Plain Finish	717168
5/8-18x3	170M	Partial	Fine	Plain Finish	717178
5/8-18x3 1/4	170M	Partial	Fine	Plain Finish	717188
5/8-18x3 1/2	170M	Partial	Fine	Plain Finish	717198
5/8-18x4	170M	Partial	Fine	Plain Finish	717218
5/8-18x4 1/2	170M	Partial	Fine	Plain Finish	717238
5/8-18x5	170M	Partial	Fine	Plain Finish	717258
5/8-18x6	170M	Partial	Fine	Plain Finish	717298
5/8-18x6 1/2	170M	Partial	Fine	Plain Finish	717318
5/8-18x7 1/2	170M	Partial	Fine	Plain Finish	717358
5/8-18x8	170M	Partial	Fine	Plain Finish	717378

3/4-10x1 1/4	170M	Full	Coarse	Plain Finish	719078
3/4-10x1 1/2	170M	Full	Coarse	Plain Finish	719098
3/4-10x1 3/4	170M	Full	Coarse	Plain Finish	719118
3/4-10x2	170M	Full	Coarse	Plain Finish	719138
3/4-10x2 1/4	170M	Full	Coarse	Plain Finish	719148
3/4-10x2 1/2	170M	Full	Coarse	Plain Finish	719158
3/4-10x2 3/4	170M	Full	Coarse	Plain Finish	719168
3/4-10x3	170M	Partial	Coarse	Plain Finish	719178
3/4-10x3 1/4	170M	Partial	Coarse	Plain Finish	719188
3/4-10x3 1/2	170M	Partial	Coarse	Plain Finish	719198
3/4-10x3 3/4	170M	Partial	Coarse	Plain Finish	719208
3/4-10x4	170M	Partial	Coarse	Plain Finish	719218
3/4-10x4 1/4	170M	Partial	Coarse	Plain Finish	719228
3/4-10x4 1/2	170M	Partial	Coarse	Plain Finish	719238
3/4-10x5	170M	Partial	Coarse	Plain Finish	719258
3/4-10x5 1/2	170M	Partial	Coarse	Plain Finish	719278
3/4-10x6	170M	Partial	Coarse	Plain Finish	719298
3/4-10x6 1/2	170M	Partial	Coarse	Plain Finish	719318
3/4-10x7	170M	Partial	Coarse	Plain Finish	719338

3/4-16x1 1/4	170M	Full	Fine	Plain Finish	720078
3/4-16x1 1/2	170M	Full	Fine	Plain Finish	720098
3/4-16x1 3/4	170M	Full	Fine	Plain Finish	720118
3/4-16x2	170M	Full	Fine	Plain Finish	720138

12-Point Hex Flange Screw - Inch

170M

SIZE	GRADE	THREAD	PITCH	FINISH	PART #
3/4-16x2 1/4	170M	Full	Fine	Plain Finish	720148
3/4-16x2 1/2	170M	Full	Fine	Plain Finish	720158
3/4-16x3	170M	Partial	Fine	Plain Finish	720178
3/4-16x3 1/2	170M	Partial	Fine	Plain Finish	720198
3/4-16x4	170M	Partial	Fine	Plain Finish	720218
3/4-16x4 1/2	170M	Partial	Fine	Plain Finish	720238
3/4-16x5	170M	Partial	Fine	Plain Finish	720258

7/8-9x2	170M	Full	Coarse	Plain Finish	722138
7/8-9x2 1/4	170M	Full	Coarse	Plain Finish	722148
7/8-9x2 1/2	170M	Full	Coarse	Plain Finish	722158
7/8-9x2 3/4	170M	Full	Coarse	Plain Finish	722168
7/8-9x3	170M	Full	Coarse	Plain Finish	722178
7/8-9x3 1/4	170M	Partial	Coarse	Plain Finish	722188
7/8-9x3 1/2	170M	Partial	Coarse	Plain Finish	722198
7/8-9x3 3/4	170M	Partial	Coarse	Plain Finish	722208
7/8-9x4	170M	Partial	Coarse	Plain Finish	722218
7/8-9x4	170M	Partial	Coarse	Phos & Oil	722217
7/8-9x4 1/2	170M	Partial	Coarse	Plain Finish	722238
7/8-9x5	170M	Partial	Coarse	Plain Finish	722258
7/8-9x5 1/2	170M	Partial	Coarse	Plain Finish	722278
7/8-9x6	170M	Partial	Coarse	Plain Finish	722298
7/8-9x7	170M	Partial	Coarse	Plain Finish	722338
7/8-9x7 1/2	170M	Partial	Coarse	Plain Finish	722358

7/8-14x1 1/4	170M	Full	Fine	Plain Finish	723123
7/8-14x2	170M	Full	Fine	Plain Finish	723138
7/8-14x2 1/2	170M	Full	Fine	Plain Finish	723158
7/8-14x2 3/4	170M	Full	Fine	Plain Finish	723168
7/8-14x3	170M	Full	Fine	Plain Finish	723178
7/8-14x3 1/2	170M	Partial	Fine	Plain Finish	723198
7/8-14x4	170M	Partial	Fine	Plain Finish	723218
7/8-14x5	170M	Partial	Fine	Plain Finish	723278
7/8-14x7	170M	Partial	Fine	Plain Finish	723338

1-8x2	170M	Full	Coarse	Plain Finish	725138
1-8x2 1/4	170M	Full	Coarse	Plain Finish	725148
1-8x2 1/2	170M	Full	Coarse	Plain Finish	725158
1-8x2 3/4	170M	Full	Coarse	Plain Finish	725168
1-8x3	170M	Full	Coarse	Plain Finish	725178
1-8x3 1/4	170M	Full	Coarse	Plain Finish	725188

170M

SIZE	GRADE	THREAD	PITCH	FINISH	PART #
1-8x3 1/2	170M	Partial	Coarse	Plain Finish	725198
1-8x4	170M	Partial	Coarse	Plain Finish	725218
1-8x4 1/2	170M	Partial	Coarse	Plain Finish	725239
1-8x5	170M	Partial	Coarse	Plain Finish	725258
1-8x5 1/2	170M	Partial	Coarse	Plain Finish	725278
1-8x6	170M	Partial	Coarse	Plain Finish	725298
1-8x6 1/2	170M	Partial	Coarse	Plain Finish	725318
1-8x7	170M	Partial	Coarse	Plain Finish	725339
1-8x8	170M	Partial	Coarse	Plain Finish	725378
1-8x12 1/2	170M	Partial	Coarse	Plain Finish	725640

1-14x2	170M	Full	Fine	Plain Finish	726138
1-14x2 1/2	170M	Full	Fine	Plain Finish	726158
1-14x3	170M	Full	Fine	Plain Finish	726178
1-14x3 1/2	170M	Partial	Fine	Plain Finish	726198
1-14x4 1/2	170M	Partial	Fine	Plain Finish	726238
1-14x5	170M	Partial	Fine	Plain Finish	726258
1-14x6	170M	Partial	Fine	Plain Finish	726298

1 1/8-7x2 1/2	170M	Full	Coarse	Plain Finish	726391
1 1/8-7x3	170M	Full	Coarse	Plain Finish	726393
1 1/8-7x4 1/2	170M	Partial	Coarse	Plain Finish	726395
1 1/8-7x6	170M	Partial	Coarse	Plain Finish	726397
1 1/8-7x8	170M	Partial	Coarse	Plain Finish	726399

1 1/8-12x3	170M	Full	Fine	Plain Finish	726382
1 1/8-12x4	170M	Partial	Fine	Plain Finish	726385

1 1/4-7x3	170M	Full	Coarse	Plain Finish	726402
1 1/4-7x3 1/2	170M	Full	Coarse	Plain Finish	726404
1 1/4-7x4	170M	Partial	Coarse	Plain Finish	726406
1 1/4-7x4 1/2	170M	Partial	Coarse	Plain Finish	726407
1 1/4-7x5	170M	Full	Coarse	Plain Finish	727260
1 1/4-7x6	170M	Partial	Coarse	Plain Finish	726410

1 1/4-12x3	170M	Full	Fine	Plain Finish	727500
1 1/4-12x3 1/2	170M	Full	Fine	Plain Finish	727501
1 1/4-12x4	170M	Partial	Fine	Plain Finish	727502
1 1/4-12x5	170M	Partial	Fine	Plain Finish	727503
1 1/4-12x5 1/2	170M	Partial	Fine	Plain Finish	727504
1 1/4-12x6	170M	Partial	Fine	Plain Finish	727506