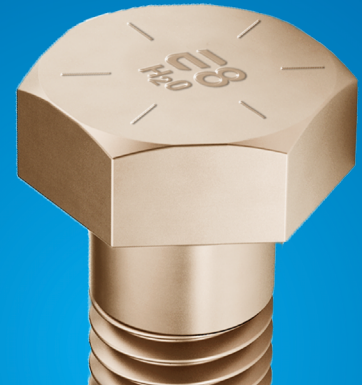


WE JUST GOT STRONGER IN GRADE 8 HEX HEAD CAP SCREWS.



When it came to Grade 8 Hex Head Cap Screws, we realized there was an opportunity for us to grow. Customers knew it and we only kind of knew it. We listened to our customers, talked with our manufacturing partners, looked at the market, and got honest about where we stood. As a result, we decided to build a new line of product around the idea of being intentionally better and purposefully driven.

We've chosen to supply a part that is environmentally safe. Our improved line of Grade 8 Hex Head Cap Screws is Prop 65, REACH, and RoHS compliant.

Every time you make a purchase from our new line of Grade 8 Hex Head Cap Screws, 5% of the sale goes towards clean water initiatives. Our goal is to have helped build 4,000 water wells by 2040 and improve the future for millions of people.

PRODUCT ATTRIBUTES

Available in RoHS-compliant Trivalent Zinc Yellow
Baked to prevent hydrogen embrittlement
Trivalent Zinc Yellow exceeds 96 hours of salt spray testing
Available in Grade 8 for added strength and durability
Rolled threads for increased fatigue resistance

THIS PRODUCT IS OFTEN CALLED...

Hex Bolt
Hex Screw
Hex Cap Screw



MARKETS FOR GRADE 8 HEX HEAD CAP SCREWS

Construction Equipment
Agriculture Equipment
Mining Equipment
Food Processing Equipment
Automotive
Gas and Oil Refinery Applications

AVAILABLE VALUE ADDED SERVICES

Bulk, full & broken case quantities
Secondary & rework services
Custom packaging services
Custom plating and coating

BACKED BY THE EARNEST
Service
GUARANTEE

**The right part.
The right quantity.
On time.
Every time.**

Inquire today at **800.327.6378** or visit **EarnestMachine.com**

GRADE 8 HEX HEAD CAP SCREWS

Grade 8 Hex Head Cap Screws are manufactured in accordance with the latest revision of the following industry standards:

- ASME B18.2.1** Dimensional Requirements
- SAE J429** Material and Strength Level
- ASME B1.1** Thread Requirements
- ASTM F788** Surface Discontinuities
- ASME B18.18** Inspection and Quality Assurance

THREADS

Threads are made to the requirements of ASME B1.1 Unified Threads (UNC and UNF) Class 2A
Thread acceptance per ASME B1.3, System 21

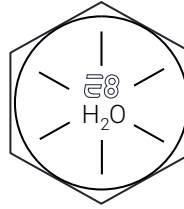
PLATING

Plain
Trivalent Zinc Yellow and Bake (RoHS-compliant Cr3+)

*The specifications shown on this sheet are not intended to be used in the production of parts. Earnest Machine is not responsible or liable in any manner for any production errors and we certify the information present on this specification sheet is correct to the best of our knowledge. ©2022 Earnest Machine Products

MATERIAL AND PHYSICAL PROPERTIES

Grade 8



Chemical Composition

CARBON (C)		PHOSPHORUS (P)	SULFUR (S)
Max	Min	Max	Max
0.55	0.25	0.025	0.025

Alloy

SAE J429 GRADE 8
Mn, Cr, Mo, Ni, V, B

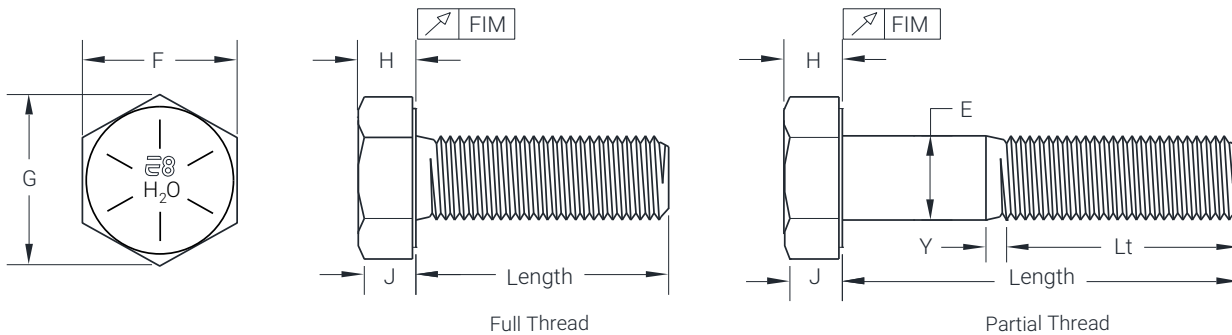
Hardness Level

SAE J429 GRADE 8
HRC 33/39

Tensile Strength

SAE J429 GRADE 8
150,000 psi min

DIMENSIONS FOR GRADE 8 HEX HEAD CAP SCREWS



SIZE	BODY DIAMETER (E)		WIDTH ACROSS FLATS (F)		WIDTH ACROSS CORNERS (G)		HEAD HEIGHT (H)		WRENCHING HEIGHT (J)	THREAD LENGTH (LT)		TRANSITION THREAD LENGTH (Y)	BEARING SURFACE RUNOUT (F.I.M.)	
	MAX	MIN	NOM	MAX	MIN	MAX	MIN	MAX		MIN	≤ 6" LENGTH			> 6" LENGTH
1/4	0.2500	0.2450	7/16	0.438	0.428	0.505	0.488	0.163	0.150	0.106	0.750	1.000	0.250	.010
5/16	0.3125	0.3065	1/2	0.500	0.489	0.577	0.557	0.211	0.195	0.140	0.875	1.125	0.278	.011
3/8	0.3750	0.3690	9/16	0.562	0.551	0.650	0.628	0.243	0.226	0.160	1.000	1.250	0.312	.012
7/16	0.4375	0.4305	5/8	0.625	0.612	0.722	0.698	0.291	0.272	0.195	1.125	1.375	0.357	.013
1/2	0.5000	0.4930	3/4	0.750	0.736	0.866	0.840	0.323	0.302	0.215	1.250	1.500	0.385	.014
9/16	0.5625	0.5545	13/16	0.812	0.798	0.938	0.910	0.371	0.348	0.250	1.375	1.625	0.417	.015
5/8	0.6250	0.6170	15/16	0.938	0.922	1.083	1.051	0.403	0.378	0.269	1.500	1.750	0.455	.017
3/4	0.7500	0.7410	1 1/8	1.125	1.100	1.299	1.254	0.483	0.455	0.324	1.750	2.000	0.500	.020
7/8	0.8750	0.8660	1 5/16	1.312	1.285	1.516	1.465	0.563	0.531	0.378	2.000	2.250	0.556	.023

Hex Head Cap Screws - Coarse Thread

Grade 8

SIZE	GRADE	THREAD	PITCH	FINISH	PART #
1/4-20x1/2	GR 8	Full	Coarse	Plain	014501
1/4-20x5/8	GR 8	Full	Coarse	Plain	014502
1/4-20x3/4	GR 8	Full	Coarse	Plain	014503
1/4-20x7/8	GR 8	Full	Coarse	Plain	014504
1/4-20x1	GR 8	Full	Coarse	Plain	014505
1/4-20x1 1/8	GR 8	Full	Coarse	Plain	014506
1/4-20x1 1/4	GR 8	Partial	Coarse	Plain	014507
1/4-20x1 3/8	GR 8	Partial	Coarse	Plain	014508
1/4-20x1 1/2	GR 8	Partial	Coarse	Plain	014509
1/4-20x1 3/4	GR 8	Partial	Coarse	Plain	014510
1/4-20x2	GR 8	Partial	Coarse	Plain	014511
1/4-20x2 1/4	GR 8	Partial	Coarse	Plain	014512
1/4-20x2 1/2	GR 8	Partial	Coarse	Plain	014513
1/4-20x2 3/4	GR 8	Partial	Coarse	Plain	014514
1/4-20x3	GR 8	Partial	Coarse	Plain	014515
1/4-20x3 1/4	GR 8	Partial	Coarse	Plain	014516
1/4-20x3 1/2	GR 8	Partial	Coarse	Plain	014517
1/4-20x3 3/4	GR 8	Partial	Coarse	Plain	014518
1/4-20x4	GR 8	Partial	Coarse	Plain	014519

1/4-20x1/2	GR 8	Full	Coarse	Zinc Yellow	014520
1/4-20x5/8	GR 8	Full	Coarse	Zinc Yellow	014521
1/4-20x3/4	GR 8	Full	Coarse	Zinc Yellow	014522
1/4-20x7/8	GR 8	Full	Coarse	Zinc Yellow	014523
1/4-20x1	GR 8	Full	Coarse	Zinc Yellow	014524
1/4-20x1 1/8	GR 8	Full	Coarse	Zinc Yellow	014525
1/4-20x1 1/4	GR 8	Partial	Coarse	Zinc Yellow	014526
1/4-20x1 3/8	GR 8	Partial	Coarse	Zinc Yellow	014527
1/4-20x1 1/2	GR 8	Partial	Coarse	Zinc Yellow	014528
1/4-20x1 3/4	GR 8	Partial	Coarse	Zinc Yellow	014529
1/4-20x2	GR 8	Partial	Coarse	Zinc Yellow	014530
1/4-20x2 1/4	GR 8	Partial	Coarse	Zinc Yellow	014531
1/4-20x2 1/2	GR 8	Partial	Coarse	Zinc Yellow	014532
1/4-20x2 3/4	GR 8	Partial	Coarse	Zinc Yellow	014533
1/4-20x3	GR 8	Partial	Coarse	Zinc Yellow	014534
1/4-20x3 1/4	GR 8	Partial	Coarse	Zinc Yellow	014535
1/4-20x3 1/2	GR 8	Partial	Coarse	Zinc Yellow	014536
1/4-20x3 3/4	GR 8	Partial	Coarse	Zinc Yellow	014537
1/4-20x4	GR 8	Partial	Coarse	Zinc Yellow	014538

Grade 8

SIZE	GRADE	THREAD	PITCH	FINISH	PART #
5/16-18x1/2	GR 8	Full	Coarse	Plain	014539
5/16-18x5/8	GR 8	Full	Coarse	Plain	014540
5/16-18x3/4	GR 8	Full	Coarse	Plain	014541
5/16-18x7/8	GR 8	Full	Coarse	Plain	014542
5/16-18x1	GR 8	Full	Coarse	Plain	014543
5/16-18x1 1/8	GR 8	Full	Coarse	Plain	014544
5/16-18x1 1/4	GR 8	Full	Coarse	Plain	014545
5/16-18x1 3/8	GR 8	Partial	Coarse	Plain	014546
5/16-18x1 1/2	GR 8	Partial	Coarse	Plain	014547
5/16-18x1 3/4	GR 8	Partial	Coarse	Plain	014548
5/16-18x2	GR 8	Partial	Coarse	Plain	014549
5/16-18x2 1/4	GR 8	Partial	Coarse	Plain	014550
5/16-18x2 1/2	GR 8	Partial	Coarse	Plain	014551
5/16-18x2 3/4	GR 8	Partial	Coarse	Plain	014552
5/16-18x3	GR 8	Partial	Coarse	Plain	014553
5/16-18x3 1/4	GR 8	Partial	Coarse	Plain	014554
5/16-18x3 1/2	GR 8	Partial	Coarse	Plain	014555
5/16-18x3 3/4	GR 8	Partial	Coarse	Plain	014556
5/16-18x4	GR 8	Partial	Coarse	Plain	014557
5/16-18x4 1/2	GR 8	Partial	Coarse	Plain	014558
5/16-18x5	GR 8	Partial	Coarse	Plain	014559
5/16-18x5 1/2	GR 8	Partial	Coarse	Plain	014560
5/16-18x6	GR 8	Partial	Coarse	Plain	014561

5/16-18x1/2	GR 8	Full	Coarse	Zinc Yellow	014562
5/16-18x5/8	GR 8	Full	Coarse	Zinc Yellow	014563
5/16-18x3/4	GR 8	Full	Coarse	Zinc Yellow	014564
5/16-18x7/8	GR 8	Full	Coarse	Zinc Yellow	014565
5/16-18x1	GR 8	Full	Coarse	Zinc Yellow	014566
5/16-18x1 1/8	GR 8	Full	Coarse	Zinc Yellow	014567
5/16-18x1 1/4	GR 8	Full	Coarse	Zinc Yellow	014568
5/16-18x1 3/8	GR 8	Partial	Coarse	Zinc Yellow	014569
5/16-18x1 1/2	GR 8	Partial	Coarse	Zinc Yellow	014570
5/16-18x1 3/4	GR 8	Partial	Coarse	Zinc Yellow	014571
5/16-18x2	GR 8	Partial	Coarse	Zinc Yellow	014572
5/16-18x2 1/4	GR 8	Partial	Coarse	Zinc Yellow	014573
5/16-18x2 1/2	GR 8	Partial	Coarse	Zinc Yellow	014574
5/16-18x2 3/4	GR 8	Partial	Coarse	Zinc Yellow	014575
5/16-18x3	GR 8	Partial	Coarse	Zinc Yellow	014576
5/16-18x3 1/4	GR 8	Partial	Coarse	Zinc Yellow	014577
5/16-18x3 1/2	GR 8	Partial	Coarse	Zinc Yellow	014578

Hex Head Cap Screws - Coarse Thread

Grade 8

SIZE	GRADE	THREAD	PITCH	FINISH	PART #
5/16-18x3 3/4	GR 8	Partial	Coarse	Zinc Yellow	014579
5/16-18x4	GR 8	Partial	Coarse	Zinc Yellow	014580
5/16-18x4 1/2	GR 8	Partial	Coarse	Zinc Yellow	014581
5/16-18x5	GR 8	Partial	Coarse	Zinc Yellow	014582
5/16-18x5 1/2	GR 8	Partial	Coarse	Zinc Yellow	014583
5/16-18x6	GR 8	Partial	Coarse	Zinc Yellow	014584

3/8-16x5/8	GR 8	Full	Coarse	Plain	014585
3/8-16x3/4	GR 8	Full	Coarse	Plain	014586
3/8-16x7/8	GR 8	Full	Coarse	Plain	014587
3/8-16x1	GR 8	Full	Coarse	Plain	014588
3/8-16x1 1/8	GR 8	Full	Coarse	Plain	014589
3/8-16x1 1/4	GR 8	Full	Coarse	Plain	014590
3/8-16x1 3/8	GR 8	Full	Coarse	Plain	014591
3/8-16x1 1/2	GR 8	Partial	Coarse	Plain	014592
3/8-16x1 5/8	GR 8	Partial	Coarse	Plain	014593
3/8-16x1 3/4	GR 8	Partial	Coarse	Plain	014594
3/8-16x2	GR 8	Partial	Coarse	Plain	014595
3/8-16x2 1/4	GR 8	Partial	Coarse	Plain	014596
3/8-16x2 3/8	GR 8	Partial	Coarse	Plain	014597
3/8-16x2 1/2	GR 8	Partial	Coarse	Plain	014598
3/8-16x2 3/4	GR 8	Partial	Coarse	Plain	014599
3/8-16x3	GR 8	Partial	Coarse	Plain	014600
3/8-16x3 1/4	GR 8	Partial	Coarse	Plain	014601
3/8-16x3 1/2	GR 8	Partial	Coarse	Plain	014602
3/8-16x3 3/4	GR 8	Partial	Coarse	Plain	014603
3/8-16x4	GR 8	Partial	Coarse	Plain	014604
3/8-16x4 1/4	GR 8	Partial	Coarse	Plain	014605
3/8-16x4 1/2	GR 8	Partial	Coarse	Plain	014606
3/8-16x4 3/4	GR 8	Partial	Coarse	Plain	014607
3/8-16x5	GR 8	Partial	Coarse	Plain	014608
3/8-16x5 1/4	GR 8	Partial	Coarse	Plain	014609
3/8-16x5 1/2	GR 8	Partial	Coarse	Plain	014610
3/8-16x5 3/4	GR 8	Partial	Coarse	Plain	014611
3/8-16x6	GR 8	Partial	Coarse	Plain	014612

3/8-16x5/8	GR 8	Full	Coarse	Zinc Yellow	014613
3/8-16x3/4	GR 8	Full	Coarse	Zinc Yellow	014614
3/8-16x7/8	GR 8	Full	Coarse	Zinc Yellow	014615
3/8-16x1	GR 8	Full	Coarse	Zinc Yellow	014616
3/8-16x1 1/8	GR 8	Full	Coarse	Zinc Yellow	014617

Grade 8

SIZE	GRADE	THREAD	PITCH	FINISH	PART #
3/8-16x1 1/4	GR 8	Full	Coarse	Zinc Yellow	014618
3/8-16x1 3/8	GR 8	Full	Coarse	Zinc Yellow	014619
3/8-16x1 1/2	GR 8	Partial	Coarse	Zinc Yellow	014620
3/8-16x1 5/8	GR 8	Partial	Coarse	Zinc Yellow	014621
3/8-16x1 3/4	GR 8	Partial	Coarse	Zinc Yellow	014622
3/8-16x2	GR 8	Partial	Coarse	Zinc Yellow	014623
3/8-16x2 1/4	GR 8	Partial	Coarse	Zinc Yellow	014624
3/8-16x2 3/8	GR 8	Partial	Coarse	Zinc Yellow	014625
3/8-16x2 1/2	GR 8	Partial	Coarse	Zinc Yellow	014626
3/8-16x2 3/4	GR 8	Partial	Coarse	Zinc Yellow	014627
3/8-16x3	GR 8	Partial	Coarse	Zinc Yellow	014628
3/8-16x3 1/4	GR 8	Partial	Coarse	Zinc Yellow	014629
3/8-16x3 1/2	GR 8	Partial	Coarse	Zinc Yellow	014630
3/8-16x3 3/4	GR 8	Partial	Coarse	Zinc Yellow	014631
3/8-16x4	GR 8	Partial	Coarse	Zinc Yellow	014632
3/8-16x4 1/4	GR 8	Partial	Coarse	Zinc Yellow	014633
3/8-16x4 1/2	GR 8	Partial	Coarse	Zinc Yellow	014634
3/8-16x4 3/4	GR 8	Partial	Coarse	Zinc Yellow	014635
3/8-16x5	GR 8	Partial	Coarse	Zinc Yellow	014636
3/8-16x5 1/4	GR 8	Partial	Coarse	Zinc Yellow	014637
3/8-16x5 1/2	GR 8	Partial	Coarse	Zinc Yellow	014638
3/8-16x5 3/4	GR 8	Partial	Coarse	Zinc Yellow	014639
3/8-16x6	GR 8	Partial	Coarse	Zinc Yellow	014640

7/16-14x3/4	GR 8	Full	Coarse	Plain	014641
7/16-14x7/8	GR 8	Full	Coarse	Plain	014642
7/16-14x1	GR 8	Full	Coarse	Plain	014643
7/16-14x1 1/4	GR 8	Full	Coarse	Plain	014644
7/16-14x1 3/8	GR 8	Full	Coarse	Plain	014645
7/16-14x1 1/2	GR 8	Full	Coarse	Plain	014646
7/16-14x1 3/4	GR 8	Partial	Coarse	Plain	014647
7/16-14x2	GR 8	Partial	Coarse	Plain	014648
7/16-14x2 1/4	GR 8	Partial	Coarse	Plain	014649
7/16-14x2 1/2	GR 8	Partial	Coarse	Plain	014650
7/16-14x2 3/4	GR 8	Partial	Coarse	Plain	014651
7/16-14x3	GR 8	Partial	Coarse	Plain	014652
7/16-14x3 1/4	GR 8	Partial	Coarse	Plain	014653
7/16-14x3 1/2	GR 8	Partial	Coarse	Plain	014654
7/16-14x3 3/4	GR 8	Partial	Coarse	Plain	014655
7/16-14x4	GR 8	Partial	Coarse	Plain	014656
7/16-14x4 1/2	GR 8	Partial	Coarse	Plain	014657

Hex Head Cap Screws - Coarse Thread

Grade 8

SIZE	GRADE	THREAD	PITCH	FINISH	PART #
7/16-14x5	GR 8	Partial	Coarse	Plain	014658
7/16-14x5 1/2	GR 8	Partial	Coarse	Plain	014659
7/16-14x6	GR 8	Partial	Coarse	Plain	014660

7/16-14x3/4	GR 8	Full	Coarse	Zinc Yellow	014661
7/16-14x7/8	GR 8	Full	Coarse	Zinc Yellow	014662
7/16-14x1	GR 8	Full	Coarse	Zinc Yellow	014663
7/16-14x1 1/4	GR 8	Full	Coarse	Zinc Yellow	014664
7/16-14x1 3/8	GR 8	Full	Coarse	Zinc Yellow	014665
7/16-14x1 1/2	GR 8	Full	Coarse	Zinc Yellow	014666
7/16-14x1 3/4	GR 8	Partial	Coarse	Zinc Yellow	014667
7/16-14x2	GR 8	Partial	Coarse	Zinc Yellow	014668
7/16-14x2 1/4	GR 8	Partial	Coarse	Zinc Yellow	014669
7/16-14x2 1/2	GR 8	Partial	Coarse	Zinc Yellow	014670
7/16-14x2 3/4	GR 8	Partial	Coarse	Zinc Yellow	014671
7/16-14x3	GR 8	Partial	Coarse	Zinc Yellow	014672
7/16-14x3 1/4	GR 8	Partial	Coarse	Zinc Yellow	014673
7/16-14x3 1/2	GR 8	Partial	Coarse	Zinc Yellow	014674
7/16-14x3 3/4	GR 8	Partial	Coarse	Zinc Yellow	014675
7/16-14x4	GR 8	Partial	Coarse	Zinc Yellow	014676
7/16-14x4 1/2	GR 8	Partial	Coarse	Zinc Yellow	014677
7/16-14x5	GR 8	Partial	Coarse	Zinc Yellow	014678
7/16-14x5 1/2	GR 8	Partial	Coarse	Zinc Yellow	014679
7/16-14x6	GR 8	Partial	Coarse	Zinc Yellow	014680

1/2-13x3/4	GR 8	Full	Coarse	Plain	014681
1/2-13x7/8	GR 8	Full	Coarse	Plain	014682
1/2-13x1	GR 8	Full	Coarse	Plain	014683
1/2-13x1 1/8	GR 8	Full	Coarse	Plain	014684
1/2-13x1 1/4	GR 8	Full	Coarse	Plain	014685
1/2-13x1 3/8	GR 8	Full	Coarse	Plain	014686
1/2-13x1 1/2	GR 8	Full	Coarse	Plain	014687
1/2-13x1 5/8	GR 8	Full	Coarse	Plain	014688
1/2-13x1 3/4	GR 8	Full	Coarse	Plain	014689
1/2-13x1 7/8	GR 8	Partial	Coarse	Plain	014690
1/2-13x2	GR 8	Partial	Coarse	Plain	014691
1/2-13x2 1/4	GR 8	Partial	Coarse	Plain	014692
1/2-13x2 1/2	GR 8	Partial	Coarse	Plain	014693
1/2-13x2 5/8	GR 8	Partial	Coarse	Plain	014694
1/2-13x2 3/4	GR 8	Partial	Coarse	Plain	014695
1/2-13x3	GR 8	Partial	Coarse	Plain	014696

Grade 8

SIZE	GRADE	THREAD	PITCH	FINISH	PART #
1/2-13x3 1/4	GR 8	Partial	Coarse	Plain	014697
1/2-13x3 1/2	GR 8	Partial	Coarse	Plain	014698
1/2-13x3 3/4	GR 8	Partial	Coarse	Plain	014699
1/2-13x4	GR 8	Partial	Coarse	Plain	014700
1/2-13x4 1/4	GR 8	Partial	Coarse	Plain	014701
1/2-13x4 1/2	GR 8	Partial	Coarse	Plain	014702
1/2-13x5	GR 8	Partial	Coarse	Plain	014703
1/2-13x5 1/4	GR 8	Partial	Coarse	Plain	014704
1/2-13x5 1/2	GR 8	Partial	Coarse	Plain	014705
1/2-13x5 3/4	GR 8	Partial	Coarse	Plain	014706
1/2-13x6	GR 8	Partial	Coarse	Plain	014707
1/2-13x6 1/2	GR 8	Partial	Coarse	Plain	014708
1/2-13x7	GR 8	Partial	Coarse	Plain	014709
1/2-13x7 1/2	GR 8	Partial	Coarse	Plain	014710

1/2-13x3/4	GR 8	Full	Coarse	Zinc Yellow	014711
1/2-13x7/8	GR 8	Full	Coarse	Zinc Yellow	014712
1/2-13x1	GR 8	Full	Coarse	Zinc Yellow	014713
1/2-13x1 1/8	GR 8	Full	Coarse	Zinc Yellow	014714
1/2-13x1 1/4	GR 8	Full	Coarse	Zinc Yellow	014715
1/2-13x1 3/8	GR 8	Full	Coarse	Zinc Yellow	014716
1/2-13x1 1/2	GR 8	Full	Coarse	Zinc Yellow	014717
1/2-13x1 5/8	GR 8	Full	Coarse	Zinc Yellow	014718
1/2-13x1 3/4	GR 8	Full	Coarse	Zinc Yellow	014719
1/2-13x1 7/8	GR 8	Partial	Coarse	Zinc Yellow	014720
1/2-13x2	GR 8	Partial	Coarse	Zinc Yellow	014721
1/2-13x2 1/4	GR 8	Partial	Coarse	Zinc Yellow	014722
1/2-13x2 1/2	GR 8	Partial	Coarse	Zinc Yellow	014723
1/2-13x2 5/8	GR 8	Partial	Coarse	Zinc Yellow	014724
1/2-13x2 3/4	GR 8	Partial	Coarse	Zinc Yellow	014725
1/2-13x3	GR 8	Partial	Coarse	Zinc Yellow	014726
1/2-13x3 1/4	GR 8	Partial	Coarse	Zinc Yellow	014727
1/2-13x3 1/2	GR 8	Partial	Coarse	Zinc Yellow	014728
1/2-13x3 3/4	GR 8	Partial	Coarse	Zinc Yellow	014729
1/2-13x3 3/4	GR 8	Partial	Coarse	Zinc Yellow	014729
1/2-13x4	GR 8	Partial	Coarse	Zinc Yellow	014730
1/2-13x4 1/4	GR 8	Partial	Coarse	Zinc Yellow	014731
1/2-13x4 1/2	GR 8	Partial	Coarse	Zinc Yellow	014732
1/2-13x5	GR 8	Partial	Coarse	Zinc Yellow	014733
1/2-13x5 1/4	GR 8	Partial	Coarse	Zinc Yellow	014734
1/2-13x5 1/2	GR 8	Partial	Coarse	Zinc Yellow	014735

Hex Head Cap Screws - Coarse Thread

Grade 8

SIZE	GRADE	THREAD	PITCH	FINISH	PART #
1/2-13x5 3/4	GR 8	Partial	Coarse	Zinc Yellow	014736
1/2-13x6	GR 8	Partial	Coarse	Zinc Yellow	014737
1/2-13x6 1/2	GR 8	Partial	Coarse	Zinc Yellow	014738
1/2-13x7	GR 8	Partial	Coarse	Zinc Yellow	014739
1/2-13x7 1/2	GR 8	Partial	Coarse	Zinc Yellow	014740

9/16-12x1	GR 8	Full	Coarse	Plain	014741
9/16-12x1 1/4	GR 8	Full	Coarse	Plain	014742
9/16-12x1 1/2	GR 8	Full	Coarse	Plain	014743
9/16-12x1 3/4	GR 8	Full	Coarse	Plain	014744
9/16-12x2	GR 8	Full	Coarse	Plain	014745
9/16-12x2 1/4	GR 8	Partial	Coarse	Plain	014746
9/16-12x2 1/2	GR 8	Partial	Coarse	Plain	014747
9/16-12x2 3/4	GR 8	Partial	Coarse	Plain	014748
9/16-12x3	GR 8	Partial	Coarse	Plain	014749
9/16-12x3 1/2	GR 8	Partial	Coarse	Plain	014750
9/16-12x4	GR 8	Partial	Coarse	Plain	014751
9/16-12x4 1/2	GR 8	Partial	Coarse	Plain	014752
9/16-12x5	GR 8	Partial	Coarse	Plain	014753
9/16-12x5 1/2	GR 8	Partial	Coarse	Plain	014754
9/16-12x6	GR 8	Partial	Coarse	Plain	014755

9/16-12x1	GR 8	Full	Coarse	Zinc Yellow	014756
9/16-12x1 1/4	GR 8	Full	Coarse	Zinc Yellow	014757
9/16-12x1 1/2	GR 8	Full	Coarse	Zinc Yellow	014758
9/16-12x1 3/4	GR 8	Full	Coarse	Zinc Yellow	014759
9/16-12x2	GR 8	Full	Coarse	Zinc Yellow	014760
9/16-12x2 1/4	GR 8	Partial	Coarse	Zinc Yellow	014761
9/16-12x2 1/2	GR 8	Partial	Coarse	Zinc Yellow	014762
9/16-12x2 3/4	GR 8	Partial	Coarse	Zinc Yellow	014763
9/16-12x3	GR 8	Partial	Coarse	Zinc Yellow	014764
9/16-12x3 1/2	GR 8	Partial	Coarse	Zinc Yellow	014765
9/16-12x4	GR 8	Partial	Coarse	Zinc Yellow	014766
9/16-12x4 1/2	GR 8	Partial	Coarse	Zinc Yellow	014767
9/16-12x5	GR 8	Partial	Coarse	Zinc Yellow	014768
9/16-12x5 1/2	GR 8	Partial	Coarse	Zinc Yellow	014769
9/16-12x6	GR 8	Partial	Coarse	Zinc Yellow	014770

5/8-11x1	GR 8	Full	Coarse	Plain	014771
5/8-11x1 1/4	GR 8	Full	Coarse	Plain	014772
5/8-11x1 1/2	GR 8	Full	Coarse	Plain	014773

Grade 8

SIZE	GRADE	THREAD	PITCH	FINISH	PART #
5/8-11x1 3/4	GR 8	Full	Coarse	Plain	014774
5/8-11x2	GR 8	Full	Coarse	Plain	014775
5/8-11x2 1/4	GR 8	Partial	Coarse	Plain	014776
5/8-11x2 1/2	GR 8	Partial	Coarse	Plain	014777
5/8-11x2 3/4	GR 8	Partial	Coarse	Plain	014778
5/8-11x3	GR 8	Partial	Coarse	Plain	014779
5/8-11x3 1/4	GR 8	Partial	Coarse	Plain	014780
5/8-11x3 1/2	GR 8	Partial	Coarse	Plain	014781
5/8-11x3 3/4	GR 8	Partial	Coarse	Plain	014782
5/8-11x4	GR 8	Partial	Coarse	Plain	014783
5/8-11x4 1/4	GR 8	Partial	Coarse	Plain	014784
5/8-11x4 1/2	GR 8	Partial	Coarse	Plain	014785
5/8-11x4 3/4	GR 8	Partial	Coarse	Plain	014786
5/8-11x5	GR 8	Partial	Coarse	Plain	014787
5/8-11x5 1/4	GR 8	Partial	Coarse	Plain	014788
5/8-11x 5 1/2	GR 8	Partial	Coarse	Plain	014789
5/8-11x5 3/4	GR 8	Partial	Coarse	Plain	014790
5/8-11x6	GR 8	Partial	Coarse	Plain	014791

5/8-11x1	GR 8	Full	Coarse	Zinc Yellow	014792
5/8-11x1 1/4	GR 8	Full	Coarse	Zinc Yellow	014793
5/8-11x1 1/2	GR 8	Full	Coarse	Zinc Yellow	014794
5/8-11x1 3/4	GR 8	Full	Coarse	Zinc Yellow	014795
5/8-11x2	GR 8	Full	Coarse	Zinc Yellow	014796
5/8-11x2 1/4	GR 8	Partial	Coarse	Zinc Yellow	014797
5/8-11x2 1/2	GR 8	Partial	Coarse	Zinc Yellow	014798
5/8-11x2 3/4	GR 8	Partial	Coarse	Zinc Yellow	014799
5/8-11x3	GR 8	Partial	Coarse	Zinc Yellow	014800
5/8-11x3 1/4	GR 8	Partial	Coarse	Zinc Yellow	014801
5/8-11x3 1/2	GR 8	Partial	Coarse	Zinc Yellow	014802
5/8-11x3 3/4	GR 8	Partial	Coarse	Zinc Yellow	014803
5/8-11x4	GR 8	Partial	Coarse	Zinc Yellow	014804
5/8-11x4 1/4	GR 8	Partial	Coarse	Zinc Yellow	014805
5/8-11x4 1/2	GR 8	Partial	Coarse	Zinc Yellow	014806
5/8-11x4 3/4	GR 8	Partial	Coarse	Zinc Yellow	014807
5/8-11x5	GR 8	Partial	Coarse	Zinc Yellow	014808
5/8-11x5 1/4	GR 8	Partial	Coarse	Zinc Yellow	014809
5/8-11x 5 1/2	GR 8	Partial	Coarse	Zinc Yellow	014810
5/8-11x5 3/4	GR 8	Partial	Coarse	Zinc Yellow	014811
5/8-11x6	GR 8	Partial	Coarse	Zinc Yellow	014812

Hex Head Cap Screws - Coarse Thread

Grade 8

SIZE	GRADE	THREAD	PITCH	FINISH	PART #
3/4-10x1 1/4	GR 8	Full	Coarse	Plain	014813
3/4-10x1 1/2	GR 8	Full	Coarse	Plain	014814
3/4-10x1 3/4	GR 8	Full	Coarse	Plain	014815
3/4-10x2	GR 8	Full	Coarse	Plain	014816
3/4-10x2 1/4	GR 8	Full	Coarse	Plain	014817
3/4-10x2 1/2	GR 8	Full	Coarse	Plain	014818
3/4-10x2 3/4	GR 8	Partial	Coarse	Plain	014819
3/4-10x3	GR 8	Partial	Coarse	Plain	014820
3/4-10x3 1/4	GR 8	Partial	Coarse	Plain	014821
3/4-10x3 1/2	GR 8	Partial	Coarse	Plain	014822
3/4-10x3 3/4	GR 8	Partial	Coarse	Plain	014823
3/4-10x4	GR 8	Partial	Coarse	Plain	014824
3/4-10x4 1/4	GR 8	Partial	Coarse	Plain	014825
3/4-10x4 1/2	GR 8	Partial	Coarse	Plain	014826
3/4-10x4 3/4	GR 8	Partial	Coarse	Plain	014827
3/4-10x5	GR 8	Partial	Coarse	Plain	014828
3/4-10x5 1/2	GR 8	Partial	Coarse	Plain	014829
3/4-10x6	GR 8	Partial	Coarse	Plain	014830

3/4-10x1 1/4	GR 8	Full	Coarse	Zinc Yellow	014831
3/4-10x1 1/2	GR 8	Full	Coarse	Zinc Yellow	014832
3/4-10x1 3/4	GR 8	Full	Coarse	Zinc Yellow	014833
3/4-10x2	GR 8	Full	Coarse	Zinc Yellow	014834
3/4-10x2 1/4	GR 8	Full	Coarse	Zinc Yellow	014835
3/4-10x2 1/2	GR 8	Full	Coarse	Zinc Yellow	014836
3/4-10x2 3/4	GR 8	Partial	Coarse	Zinc Yellow	014837
3/4-10x3	GR 8	Partial	Coarse	Zinc Yellow	014838
3/4-10x3 1/4	GR 8	Partial	Coarse	Zinc Yellow	014839
3/4-10x3 1/2	GR 8	Partial	Coarse	Zinc Yellow	014840
3/4-10x3 3/4	GR 8	Partial	Coarse	Zinc Yellow	014841
3/4-10x4	GR 8	Partial	Coarse	Zinc Yellow	014842
3/4-10x4 1/4	GR 8	Partial	Coarse	Zinc Yellow	014843
3/4-10x4 1/2	GR 8	Partial	Coarse	Zinc Yellow	014844
3/4-10x4 3/4	GR 8	Partial	Coarse	Zinc Yellow	014845
3/4-10x5	GR 8	Partial	Coarse	Zinc Yellow	014846
3/4-10x5 1/2	GR 8	Partial	Coarse	Zinc Yellow	014847
3/4-10x6	GR 8	Partial	Coarse	Zinc Yellow	014848

Grade 8

SIZE	GRADE	THREAD	PITCH	FINISH	PART #
7/8-9x1 1/2	GR 8	Full	Coarse	Plain	014849
7/8-9x1 3/4	GR 8	Full	Coarse	Plain	014850
7/8-9x2	GR 8	Full	Coarse	Plain	014851
7/8-9x2 1/4	GR 8	Full	Coarse	Plain	014852
7/8-9x2 1/2	GR 8	Full	Coarse	Plain	014853
7/8-9x2 3/4	GR 8	Full	Coarse	Plain	014854
7/8-9x3	GR 8	Partial	Coarse	Plain	014855
7/8-9x3 1/4	GR 8	Partial	Coarse	Plain	014856
7/8-9x3 1/2	GR 8	Partial	Coarse	Plain	014857
7/8-9x3 3/4	GR 8	Partial	Coarse	Plain	014858
7/8-9x4	GR 8	Partial	Coarse	Plain	014859
7/8-9x4 1/4	GR 8	Partial	Coarse	Plain	014860
7/8-9x4 1/2	GR 8	Partial	Coarse	Plain	014861
7/8-9x5	GR 8	Partial	Coarse	Plain	014862
7/8-9x5 1/2	GR 8	Partial	Coarse	Plain	014863
7/8-9x6	GR 8	Partial	Coarse	Plain	014864
7/8-9x1 1/2	GR 8	Full	Coarse	Zinc Yellow	014865
7/8-9x1 3/4	GR 8	Full	Coarse	Zinc Yellow	014866
7/8-9x2	GR 8	Full	Coarse	Zinc Yellow	014867
7/8-9x2 1/4	GR 8	Full	Coarse	Zinc Yellow	014868
7/8-9x2 1/2	GR 8	Full	Coarse	Zinc Yellow	014869
7/8-9x2 3/4	GR 8	Full	Coarse	Zinc Yellow	014870
7/8-9x3	GR 8	Partial	Coarse	Zinc Yellow	014871
7/8-9x3 1/4	GR 8	Partial	Coarse	Zinc Yellow	014872
7/8-9x3 1/2	GR 8	Partial	Coarse	Zinc Yellow	014873
7/8-9x3 3/4	GR 8	Partial	Coarse	Zinc Yellow	014874
7/8-9x4	GR 8	Partial	Coarse	Zinc Yellow	014875
7/8-9x4 1/4	GR 8	Partial	Coarse	Zinc Yellow	014876
7/8-9x4 1/2	GR 8	Partial	Coarse	Zinc Yellow	014877
7/8-9x5	GR 8	Partial	Coarse	Zinc Yellow	014878
7/8-9x5 1/2	GR 8	Partial	Coarse	Zinc Yellow	014879
7/8-9x6	GR 8	Partial	Coarse	Zinc Yellow	014880

Hex Head Cap Screws - Fine Thread

Grade 8

SIZE	GRADE	THREAD	PITCH	FINISH	PART #
1/4-28x1/2	GR 8	Full	Fine	Plain	014881
1/4-28x5/8	GR 8	Full	Fine	Plain	014882
1/4-28x3/4	GR 8	Full	Fine	Plain	014883
1/4-28x7/8	GR 8	Full	Fine	Plain	014884
1/4-28x1	GR 8	Full	Fine	Plain	014885
1/4-28x1 1/8	GR 8	Full	Fine	Plain	014886
1/4-28x1 1/4	GR 8	Partial	Fine	Plain	014887
1/4-28x1 1/2	GR 8	Partial	Fine	Plain	014888
1/4-28x1 3/4	GR 8	Partial	Fine	Plain	014889
1/4-28x2	GR 8	Partial	Fine	Plain	014890
1/4-28x2 1/4	GR 8	Partial	Fine	Plain	014891
1/4-28x2 1/2	GR 8	Partial	Fine	Plain	014892
1/4-28x2 3/4	GR 8	Partial	Fine	Plain	014893
1/4-28x3	GR 8	Partial	Fine	Plain	014894
1/4-28x3 1/4	GR 8	Partial	Fine	Plain	014895
1/4-28x3 1/2	GR 8	Partial	Fine	Plain	014896
1/4-28x3 3/4	GR 8	Partial	Fine	Plain	014897
1/4-28x4	GR 8	Partial	Fine	Plain	014898

1/4-28x1/2	GR 8	Full	Fine	Zinc Yellow	014899
1/4-28x5/8	GR 8	Full	Fine	Zinc Yellow	014900
1/4-28x3/4	GR 8	Full	Fine	Zinc Yellow	014901
1/4-28x7/8	GR 8	Full	Fine	Zinc Yellow	014902
1/4-28x1	GR 8	Full	Fine	Zinc Yellow	014903
1/4-28x1 1/8	GR 8	Full	Fine	Zinc Yellow	014904
1/4-28x1 1/4	GR 8	Partial	Fine	Zinc Yellow	014905
1/4-28x1 1/2	GR 8	Partial	Fine	Zinc Yellow	014906
1/4-28x1 3/4	GR 8	Partial	Fine	Zinc Yellow	014907
1/4-28x2	GR 8	Partial	Fine	Zinc Yellow	014908
1/4-28x2 1/4	GR 8	Partial	Fine	Zinc Yellow	014909
1/4-28x2 1/2	GR 8	Partial	Fine	Zinc Yellow	014910
1/4-28x2 3/4	GR 8	Partial	Fine	Zinc Yellow	014911
1/4-28x3	GR 8	Partial	Fine	Zinc Yellow	014912
1/4-28x3 1/4	GR 8	Partial	Fine	Zinc Yellow	014913
1/4-28x3 1/2	GR 8	Partial	Fine	Zinc Yellow	014914
1/4-28x3 3/4	GR 8	Partial	Fine	Zinc Yellow	014915
1/4-28x4	GR 8	Partial	Fine	Zinc Yellow	014916

Grade 8

SIZE	GRADE	THREAD	PITCH	FINISH	PART #
5/16-24x1/2	GR 8	Full	Fine	Plain	014917
5/16-24x5/8	GR 8	Full	Fine	Plain	014918
5/16-24x3/4	GR 8	Full	Fine	Plain	014919
5/16-24x7/8	GR 8	Full	Fine	Plain	014920
5/16-24x1	GR 8	Full	Fine	Plain	014921
5/16-24x1 1/4	GR 8	Full	Fine	Plain	014922
5/16-24x1 1/2	GR 8	Partial	Fine	Plain	014923
5/16-24x1 3/4	GR 8	Partial	Fine	Plain	014924
5/16-24x2	GR 8	Partial	Fine	Plain	014925
5/16-24x2 1/4	GR 8	Partial	Fine	Plain	014926
5/16-24x2 1/2	GR 8	Partial	Fine	Plain	014927
5/16-24x2 3/4	GR 8	Partial	Fine	Plain	014928
5/16-24x3	GR 8	Partial	Fine	Plain	014929
5/16-24x3 1/4	GR 8	Partial	Fine	Plain	014930
5/16-24x3 1/2	GR 8	Partial	Fine	Plain	014931
5/16-24x3 3/4	GR 8	Partial	Fine	Plain	014932
5/16-24x4	GR 8	Partial	Fine	Plain	014933
5/16-24x4 1/2	GR 8	Partial	Fine	Plain	014934
5/16-24x5	GR 8	Partial	Fine	Plain	014935
5/16-24x5 1/2	GR 8	Partial	Fine	Plain	014936
5/16-24x6	GR 8	Partial	Fine	Plain	014937

5/16-24x1/2	GR 8	Full	Fine	Zinc Yellow	014938
5/16-24x5/8	GR 8	Full	Fine	Zinc Yellow	014939
5/16-24x3/4	GR 8	Full	Fine	Zinc Yellow	014940
5/16-24x7/8	GR 8	Full	Fine	Zinc Yellow	014941
5/16-24x1	GR 8	Full	Fine	Zinc Yellow	014942
5/16-24x1 1/4	GR 8	Full	Fine	Zinc Yellow	014943
5/16-24x1 1/2	GR 8	Partial	Fine	Zinc Yellow	014944
5/16-24x1 3/4	GR 8	Partial	Fine	Zinc Yellow	014945
5/16-24x2	GR 8	Partial	Fine	Zinc Yellow	014946
5/16-24x2 1/4	GR 8	Partial	Fine	Zinc Yellow	014947
5/16-24x2 1/2	GR 8	Partial	Fine	Zinc Yellow	014948
5/16-24x2 3/4	GR 8	Partial	Fine	Zinc Yellow	014949
5/16-24x3	GR 8	Partial	Fine	Zinc Yellow	014950
5/16-24x3 1/4	GR 8	Partial	Fine	Zinc Yellow	014951
5/16-24x3 1/2	GR 8	Partial	Fine	Zinc Yellow	014952
5/16-24x3 3/4	GR 8	Partial	Fine	Zinc Yellow	014953
5/16-24x4	GR 8	Partial	Fine	Zinc Yellow	014954
5/16-24x4 1/2	GR 8	Partial	Fine	Zinc Yellow	014955
5/16-24x5	GR 8	Partial	Fine	Zinc Yellow	014956

Hex Head Cap Screws - Fine Thread

Grade 8

SIZE	GRADE	THREAD	PITCH	FINISH	PART #
5/16-24x5 1/2	GR 8	Partial	Fine	Zinc Yellow	014957
5/16-24x6	GR 8	Partial	Fine	Zinc Yellow	014958

3/8-24x5/8	GR 8	Full	Fine	Plain	014959
3/8-24x3/4	GR 8	Full	Fine	Plain	014960
3/8-24x7/8	GR 8	Full	Fine	Plain	014961
3/8-24x1	GR 8	Full	Fine	Plain	014962
3/8-24x1 1/8	GR 8	Full	Fine	Plain	014963
3/8-24x1 1/4	GR 8	Full	Fine	Plain	014964
3/8-24x1 3/8	GR 8	Full	Fine	Plain	014965
3/8-24x1 1/2	GR 8	Partial	Fine	Plain	014966
3/8-24x1 3/4	GR 8	Partial	Fine	Plain	014967
3/8-24x2	GR 8	Partial	Fine	Plain	014968
3/8-24x2 1/4	GR 8	Partial	Fine	Plain	014969
3/8-24x2 3/8	GR 8	Partial	Fine	Plain	014970
3/8-24x2 1/2	GR 8	Partial	Fine	Plain	014971
3/8-24x2 3/4	GR 8	Partial	Fine	Plain	014972
3/8-24x3	GR 8	Partial	Fine	Plain	014973
3/8-24x3 1/4	GR 8	Partial	Fine	Plain	014974
3/8-24x3 1/2	GR 8	Partial	Fine	Plain	014975
3/8-24x3 3/4	GR 8	Partial	Fine	Plain	014976
3/8-24x4	GR 8	Partial	Fine	Plain	014977
3/8-24x4 1/2	GR 8	Partial	Fine	Plain	014978
3/8-24x5	GR 8	Partial	Fine	Plain	014979
3/8-24x5 1/2	GR 8	Partial	Fine	Plain	014980
3/8-24x6	GR 8	Partial	Fine	Plain	014981

3/8-24x5/8	GR 8	Full	Fine	Zinc Yellow	014982
3/8-24x3/4	GR 8	Full	Fine	Zinc Yellow	014983
3/8-24x7/8	GR 8	Full	Fine	Zinc Yellow	014984
3/8-24x1	GR 8	Full	Fine	Zinc Yellow	014985
3/8-24x1 1/8	GR 8	Full	Fine	Zinc Yellow	014986
3/8-24x1 1/4	GR 8	Full	Fine	Zinc Yellow	014987
3/8-24x1 3/8	GR 8	Full	Fine	Zinc Yellow	014988
3/8-24x1 1/2	GR 8	Partial	Fine	Zinc Yellow	014989
3/8-24x1 3/4	GR 8	Partial	Fine	Zinc Yellow	014990
3/8-24x2	GR 8	Partial	Fine	Zinc Yellow	014991
3/8-24x2 1/4	GR 8	Partial	Fine	Zinc Yellow	014992
3/8-24x2 3/8	GR 8	Partial	Fine	Zinc Yellow	014993
3/8-24x2 1/2	GR 8	Partial	Fine	Zinc Yellow	014994
3/8-24x2 3/4	GR 8	Partial	Fine	Zinc Yellow	014995

Grade 8

SIZE	GRADE	THREAD	PITCH	FINISH	PART #
3/8-24x3	GR 8	Partial	Fine	Zinc Yellow	014996
3/8-24x3 1/4	GR 8	Partial	Fine	Zinc Yellow	014997
3/8-24x3 1/2	GR 8	Partial	Fine	Zinc Yellow	014998
3/8-24x3 3/4	GR 8	Partial	Fine	Zinc Yellow	014999
3/8-24x4	GR 8	Partial	Fine	Zinc Yellow	015000
3/8-24x4 1/2	GR 8	Partial	Fine	Zinc Yellow	015001
3/8-24x5	GR 8	Partial	Fine	Zinc Yellow	015002
3/8-24x5 1/2	GR 8	Partial	Fine	Zinc Yellow	015003
3/8-24x6	GR 8	Partial	Fine	Zinc Yellow	015004

7/16-20x3/4	GR 8	Full	Fine	Plain	015005
7/16-20x7/8	GR 8	Full	Fine	Plain	015006
7/16-20x1	GR 8	Full	Fine	Plain	015007
7/16-20x1 1/4	GR 8	Full	Fine	Plain	015008
7/16-20x1 3/8	GR 8	Full	Fine	Plain	015009
7/16-20x1 1/2	GR 8	Full	Fine	Plain	015010
7/16-20x1 3/4	GR 8	Partial	Fine	Plain	015011
7/16-20x2	GR 8	Partial	Fine	Plain	015012
7/16-20x2 1/4	GR 8	Partial	Fine	Plain	015013
7/16-20x2 1/2	GR 8	Partial	Fine	Plain	015014
7/16-20x2 3/4	GR 8	Partial	Fine	Plain	015015
7/16-20x3	GR 8	Partial	Fine	Plain	015016
7/16-20x3 1/4	GR 8	Partial	Fine	Plain	015017
7/16-20x3 1/2	GR 8	Partial	Fine	Plain	015018
7/16-20x3 3/4	GR 8	Partial	Fine	Plain	015019
7/16-20x4	GR 8	Partial	Fine	Plain	015020
7/16-20x4 1/2	GR 8	Partial	Fine	Plain	015021
7/16-20x5	GR 8	Partial	Fine	Plain	015022
7/16-20x5 1/2	GR 8	Partial	Fine	Plain	015023
7/16-20x6	GR 8	Partial	Fine	Plain	015024

7/16-20x3/4	GR 8	Full	Fine	Zinc Yellow	015025
7/16-20x7/8	GR 8	Full	Fine	Zinc Yellow	015026
7/16-20x1	GR 8	Full	Fine	Zinc Yellow	015027
7/16-20x1 1/4	GR 8	Full	Fine	Zinc Yellow	015028
7/16-20x1 3/8	GR 8	Full	Fine	Zinc Yellow	015029
7/16-20x1 1/2	GR 8	Full	Fine	Zinc Yellow	015030
7/16-20x1 3/4	GR 8	Partial	Fine	Zinc Yellow	015031
7/16-20x2	GR 8	Partial	Fine	Zinc Yellow	015032
7/16-20x2 1/4	GR 8	Partial	Fine	Zinc Yellow	015033
7/16-20x2 1/2	GR 8	Partial	Fine	Zinc Yellow	015034

Hex Head Cap Screws - Fine Thread

Grade 8

SIZE	GRADE	THREAD	PITCH	FINISH	PART #
7/16-20x2 3/4	GR 8	Partial	Fine	Zinc Yellow	015035
7/16-20x3	GR 8	Partial	Fine	Zinc Yellow	015036
7/16-20x3 1/4	GR 8	Partial	Fine	Zinc Yellow	015037
7/16-20x3 1/2	GR 8	Partial	Fine	Zinc Yellow	015038
7/16-20x3 3/4	GR 8	Partial	Fine	Zinc Yellow	015039
7/16-20x4	GR 8	Partial	Fine	Zinc Yellow	015040
7/16-20x4 1/2	GR 8	Partial	Fine	Zinc Yellow	015041
7/16-20x5	GR 8	Partial	Fine	Zinc Yellow	015042
7/16-20x5 1/2	GR 8	Partial	Fine	Zinc Yellow	015043
7/16-20x6	GR 8	Partial	Fine	Zinc Yellow	015044

1/2-20x3/4	GR 8	Full	Fine	Plain	015045
1/2-20x7/8	GR 8	Full	Fine	Plain	015046
1/2-20x1	GR 8	Full	Fine	Plain	015047
1/2-20x1 1/4	GR 8	Full	Fine	Plain	015048
1/2-20x1 3/8	GR 8	Full	Fine	Plain	015049
1/2-20x1 1/2	GR 8	Full	Fine	Plain	015050
1/2-20x1 3/4	GR 8	Full	Fine	Plain	015051
1/2-20x1 7/8	GR 8	Partial	Fine	Plain	015052
1/2-20x2	GR 8	Partial	Fine	Plain	015053
1/2-20x2 1/4	GR 8	Partial	Fine	Plain	015054
1/2-20x2 1/2	GR 8	Partial	Fine	Plain	015055
1/2-20x2 5/8	GR 8	Partial	Fine	Plain	015056
1/2-20x2 3/4	GR 8	Partial	Fine	Plain	015057
1/2-20x3	GR 8	Partial	Fine	Plain	015058
1/2-20x3 1/4	GR 8	Partial	Fine	Plain	015059
1/2-20x3 1/2	GR 8	Partial	Fine	Plain	015060
1/2-20x3 3/4	GR 8	Partial	Fine	Plain	015061
1/2-20x4	GR 8	Partial	Fine	Plain	015062
1/2-20x4 1/2	GR 8	Partial	Fine	Plain	015063
1/2-20x5	GR 8	Partial	Fine	Plain	015064
1/2-20x5 1/2	GR 8	Partial	Fine	Plain	015065
1/2-20x6	GR 8	Partial	Fine	Plain	015066
1/2-20x6 1/2	GR 8	Partial	Fine	Plain	015067
1/2-20x7	GR 8	Partial	Fine	Plain	015068
1/2-20x7 1/2	GR 8	Partial	Fine	Plain	015069

1/2-20x3/4	GR 8	Full	Fine	Zinc Yellow	015070
1/2-20x7/8	GR 8	Full	Fine	Zinc Yellow	015071
1/2-20x1	GR 8	Full	Fine	Zinc Yellow	015072
1/2-20x1 1/4	GR 8	Full	Fine	Zinc Yellow	015073

Grade 8

SIZE	GRADE	THREAD	PITCH	FINISH	PART #
1/2-20x1 3/8	GR 8	Full	Fine	Zinc Yellow	015074
1/2-20x1 1/2	GR 8	Full	Fine	Zinc Yellow	015075
1/2-20x1 3/4	GR 8	Full	Fine	Zinc Yellow	015076
1/2-20x1 7/8	GR 8	Partial	Fine	Zinc Yellow	015077
1/2-20x2	GR 8	Partial	Fine	Zinc Yellow	015078
1/2-20x2 1/4	GR 8	Partial	Fine	Zinc Yellow	015079
1/2x20-2 1/2	GR 8	Partial	Fine	Zinc Yellow	015080
1/2-20x2 5/8	GR 8	Partial	Fine	Zinc Yellow	015081
1/2-20x2 3/4	GR 8	Partial	Fine	Zinc Yellow	015082
1/2-20x3	GR 8	Partial	Fine	Zinc Yellow	015083
1/2-20x3 1/4	GR 8	Partial	Fine	Zinc Yellow	015084
1/2-20x3 1/2	GR 8	Partial	Fine	Zinc Yellow	015085
1/2-20x3 3/4	GR 8	Partial	Fine	Zinc Yellow	015086
1/2-20x4	GR 8	Partial	Fine	Zinc Yellow	015087
1/2-20x4 1/2	GR 8	Partial	Fine	Zinc Yellow	015088
1/2-20x5	GR 8	Partial	Fine	Zinc Yellow	015089
1/2-20x5 1/2	GR 8	Partial	Fine	Zinc Yellow	015090
1/2-20x6	GR 8	Partial	Fine	Zinc Yellow	015091
1/2-20x6 1/2	GR 8	Partial	Fine	Zinc Yellow	015092
1/2-20x7	GR 8	Partial	Fine	Zinc Yellow	015093
1/2-20x7 1/2	GR 8	Partial	Fine	Zinc Yellow	015094

9/16-18x1	GR 8	Full	Fine	Plain	015095
9/16-18x1 1/4	GR 8	Full	Fine	Plain	015096
9/16-18x1 1/2	GR 8	Full	Fine	Plain	015097
9/16-18x1 3/4	GR 8	Full	Fine	Plain	015098
9/16-18x2	GR 8	Full	Fine	Plain	015099
9/16-18x2 1/4	GR 8	Partial	Fine	Plain	015100
9/16-18x2 1/2	GR 8	Partial	Fine	Plain	015101
9/16-18x2 3/4	GR 8	Partial	Fine	Plain	015102
9/16-18x3	GR 8	Partial	Fine	Plain	015103
9/16-18x3 1/2	GR 8	Partial	Fine	Plain	015104
9/16-18x4	GR 8	Partial	Fine	Plain	015105
9/16-18x4 1/2	GR 8	Partial	Fine	Plain	015106
9/16-18x5	GR 8	Partial	Fine	Plain	015107
9/16-18x5 1/2	GR 8	Partial	Fine	Plain	015108
9/16-18x6	GR 8	Partial	Fine	Plain	015109

9/16-18x1	GR 8	Full	Fine	Zinc Yellow	015110
9/16-18x1 1/4	GR 8	Full	Fine	Zinc Yellow	015111
9/16-18x1 1/2	GR 8	Full	Fine	Zinc Yellow	015112

Hex Head Cap Screws - Fine Thread

Grade 8

SIZE	GRADE	THREAD	PITCH	FINISH	PART #
9/16-18x1 3/4	GR 8	Full	Fine	Zinc Yellow	015113
9/16-18x2	GR 8	Full	Fine	Zinc Yellow	015114
9/16-18x2 1/4	GR 8	Partial	Fine	Zinc Yellow	015115
9/16-18x2 1/2	GR 8	Partial	Fine	Zinc Yellow	015116
9/16-18x2 3/4	GR 8	Partial	Fine	Zinc Yellow	015117
9/16-18x3	GR 8	Partial	Fine	Zinc Yellow	015118
9/16-18x3 1/2	GR 8	Partial	Fine	Zinc Yellow	015119
9/16-18x4	GR 8	Partial	Fine	Zinc Yellow	015120
9/16-18x4 1/2	GR 8	Partial	Fine	Zinc Yellow	015121
9/16-18x5	GR 8	Partial	Fine	Zinc Yellow	015122
9/16-18x5 1/2	GR 8	Partial	Fine	Zinc Yellow	015123
9/16-18x6	GR 8	Partial	Fine	Zinc Yellow	015124

5/8-18x1	GR 8	Full	Fine	Plain	015125
5/8-18x1 1/4	GR 8	Full	Fine	Plain	015126
5/8-18x1 1/2	GR 8	Full	Fine	Plain	015127
5/8-18x1 3/4	GR 8	Full	Fine	Plain	015128
5/8-18x2	GR 8	Full	Fine	Plain	015129
5/8-18x2 1/4	GR 8	Partial	Fine	Plain	015130
5/8-18x2 1/2	GR 8	Partial	Fine	Plain	015131
5/8-18x2 3/4	GR 8	Partial	Fine	Plain	015132
5/8-18x3	GR 8	Partial	Fine	Plain	015133
5/8-18x3 1/4	GR 8	Partial	Fine	Plain	015134
5/8-18x3 1/2	GR 8	Partial	Fine	Plain	015135
5/8-18x3 3/4	GR 8	Partial	Fine	Plain	015136
5/8-18x4	GR 8	Partial	Fine	Plain	015137
5/8-18x4 1/2	GR 8	Partial	Fine	Plain	015138
5/8-18x5	GR 8	Partial	Fine	Plain	015139
5/8-18x5 1/2	GR 8	Partial	Fine	Plain	015140
5/8-18x6	GR 8	Partial	Fine	Plain	015141

5/8-18x1	GR 8	Full	Fine	Zinc Yellow	015142
5/8-18x1 1/4	GR 8	Full	Fine	Zinc Yellow	015143
5/8-18x1 1/2	GR 8	Full	Fine	Zinc Yellow	015144
5/8-18x1 3/4	GR 8	Full	Fine	Zinc Yellow	015145
5/8-18x2	GR 8	Full	Fine	Zinc Yellow	015146
5/8-18x2 1/4	GR 8	Partial	Fine	Zinc Yellow	015147
5/8-18x2 1/2	GR 8	Partial	Fine	Zinc Yellow	015148
5/8-18x2 3/4	GR 8	Partial	Fine	Zinc Yellow	015149
5/8-18x3	GR 8	Partial	Fine	Zinc Yellow	015150
5/8-18x3 1/4	GR 8	Partial	Fine	Zinc Yellow	015151

Grade 8

SIZE	GRADE	THREAD	PITCH	FINISH	PART #
5/8-18x3 1/2	GR 8	Partial	Fine	Zinc Yellow	015152
5/8-18x3 3/4	GR 8	Partial	Fine	Zinc Yellow	015153
5/8-18x4	GR 8	Partial	Fine	Zinc Yellow	015154
5/8-18x4 1/2	GR 8	Partial	Fine	Zinc Yellow	015155
5/8-18x5	GR 8	Partial	Fine	Zinc Yellow	015156
5/8-18x5 1/2	GR 8	Partial	Fine	Zinc Yellow	015157
5/8-18x6	GR 8	Partial	Fine	Zinc Yellow	015158

3/4-16x1 1/4	GR 8	Full	Fine	Plain	015159
3/4-16x1 1/2	GR 8	Full	Fine	Plain	015160
3/4-16x1 3/4	GR 8	Full	Fine	Plain	015161
3/4-16x2	GR 8	Full	Fine	Plain	015162
3/4-16x2 1/4	GR 8	Full	Fine	Plain	015163
3/4-16x2 1/2	GR 8	Full	Fine	Plain	015164
3/4-16x2 3/4	GR 8	Partial	Fine	Plain	015165
3/4-16x3	GR 8	Partial	Fine	Plain	015166
3/4-16x3 1/4	GR 8	Partial	Fine	Plain	015167
3/4-16x3 1/2	GR 8	Partial	Fine	Plain	015168
3/4-16x3 3/4	GR 8	Partial	Fine	Plain	015169
3/4-16x4	GR 8	Partial	Fine	Plain	015170
3/4-16x4 1/2	GR 8	Partial	Fine	Plain	015171
3/4-16x5	GR 8	Partial	Fine	Plain	015172
3/4-16x5 1/2	GR 8	Partial	Fine	Plain	015173
3/4-16x6	GR 8	Partial	Fine	Plain	015174

3/4-16x1 1/4	GR 8	Full	Fine	Zinc Yellow	015175
3/4-16x1 1/2	GR 8	Full	Fine	Zinc Yellow	015176
3/4-16x1 3/4	GR 8	Full	Fine	Zinc Yellow	015177
3/4-16x2	GR 8	Full	Fine	Zinc Yellow	015178
3/4-16x2 1/4	GR 8	Full	Fine	Zinc Yellow	015179
3/4-16x2 1/2	GR 8	Full	Fine	Zinc Yellow	015180
3/4-16x2 3/4	GR 8	Partial	Fine	Zinc Yellow	015181
3/4-16x3	GR 8	Partial	Fine	Zinc Yellow	015182
3/4-16x3 1/4	GR 8	Partial	Fine	Zinc Yellow	015183
3/4-16x3 1/2	GR 8	Partial	Fine	Zinc Yellow	015184
3/4-16x3 3/4	GR 8	Partial	Fine	Zinc Yellow	015185
3/4-16x4	GR 8	Partial	Fine	Zinc Yellow	015186
3/4-16x4 1/2	GR 8	Partial	Fine	Zinc Yellow	015187
3/4-16x5	GR 8	Partial	Fine	Zinc Yellow	015188
3/4-16x5 1/2	GR 8	Partial	Fine	Zinc Yellow	015189
3/4-16x6	GR 8	Partial	Fine	Zinc Yellow	015190

Hex Head Cap Screws - Fine Thread

Grade 8

SIZE	GRADE	THREAD	PITCH	FINISH	PART #
7/8-14x1 1/2	GR 8	Full	Fine	Plain	015191
7/8-14x1 3/4	GR 8	Full	Fine	Plain	015192
7/8-14x2	GR 8	Full	Fine	Plain	015193
7/8-14x2 1/4	GR 8	Full	Fine	Plain	015194
7/8-14x2 1/2	GR 8	Full	Fine	Plain	015195
7/8-14x2 3/4	GR 8	Full	Fine	Plain	015196
7/8-14x3	GR 8	Partial	Fine	Plain	015197
7/8-14x3 1/4	GR 8	Partial	Fine	Plain	015198
7/8-14x3 1/2	GR 8	Partial	Fine	Plain	015199
7/8-14x3 3/4	GR 8	Partial	Fine	Plain	015200
7/8-14x4	GR 8	Partial	Fine	Plain	015201
7/8-14x4 1/2	GR 8	Partial	Fine	Plain	015202
7/8-14x5	GR 8	Partial	Fine	Plain	015203
7/8-14x5 1/2	GR 8	Partial	Fine	Plain	015204
7/8-14x6	GR 8	Partial	Fine	Plain	015205

7/8-14x1 1/2	GR 8	Full	Fine	Zinc Yellow	015206
7/8-14x1 3/4	GR 8	Full	Fine	Zinc Yellow	015207
7/8-14x2	GR 8	Full	Fine	Zinc Yellow	015208
7/8-14x2 1/4	GR 8	Full	Fine	Zinc Yellow	015209
7/8-14x2 1/2	GR 8	Full	Fine	Zinc Yellow	015210
7/8-14x2 3/4	GR 8	Full	Fine	Zinc Yellow	015211
7/8-14x3	GR 8	Partial	Fine	Zinc Yellow	015212
7/8-14x3 1/4	GR 8	Partial	Fine	Zinc Yellow	015213
7/8-14x3 1/2	GR 8	Partial	Fine	Zinc Yellow	015214
7/8-14x3 3/4	GR 8	Partial	Fine	Zinc Yellow	015215
7/8-14x4	GR 8	Partial	Fine	Zinc Yellow	015216
7/8-14x4 1/2	GR 8	Partial	Fine	Zinc Yellow	015217
7/8-14x5	GR 8	Partial	Fine	Zinc Yellow	015218
7/8-14x5 1/2	GR 8	Partial	Fine	Zinc Yellow	015219
7/8-14x6	GR 8	Partial	Fine	Zinc Yellow	015220